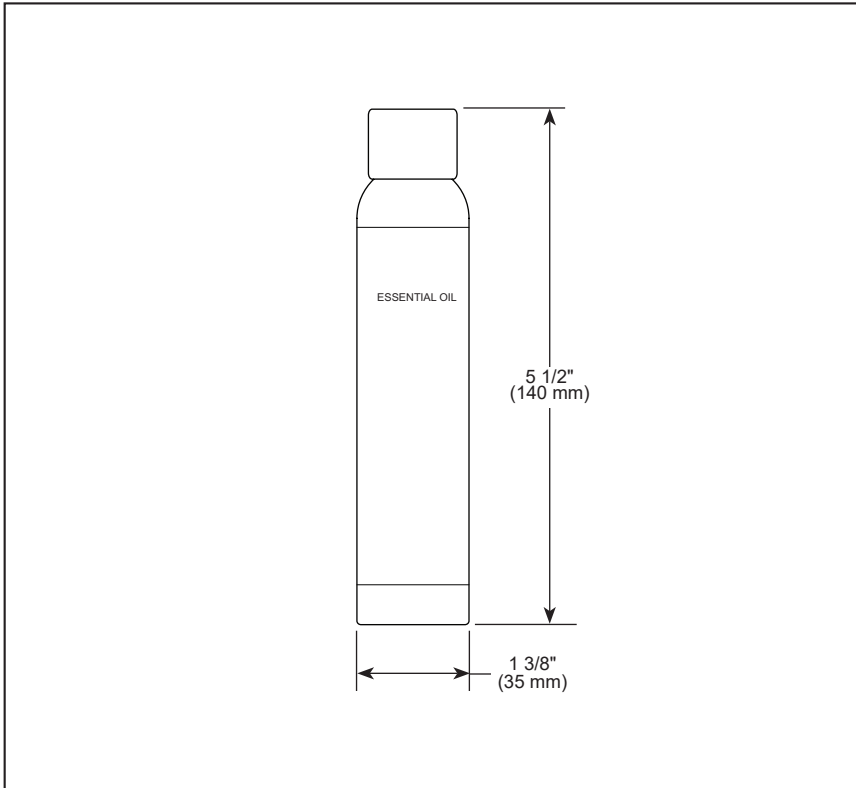


BRIZO®

AROMATHERAPY CANISTER ESSENTIAL OILS



STANDARD SPECIFICATIONS:

- 100ml canisters compatible with the 8SP-MU-5 Aromatherapy system
- 8SP-S1-5 State of Focus - Sweet Orange, Pine Needle, Ho Leaf, Frankincense, Patchouli, Cistus Labdanum
- 8SP-S2-5 State of Serenity - Lavandin, Sweet Orange, Geranium, Cedarwood, Marjoram, Lavender, Frankincense
- 8SP-S4-5 State of Clarity - Lemongrass, Rosemary, Sweet Orange, Ginger Root, Red Grapefruit, Mandarin Orange, Cinnamon Leaf, Lemon
- 8SP-S5-5 State of Openness - Sage, Niaouli, Eucalyptus Globulus, Spruce Needle, Eucalyptus Radiata, Thyme, Myrtle
- 8SP-S6-5 State of Indulgence - Spruce Needle, Fir Needle, Pine Needle, Cedarwood, Frankincense, Ylang Ylang

WARRANTY

- Steam Generators – Lifetime limited warranty; or for commercial purchasers (including for steam bath generators with model numbers beginning with 8GE that are 7.5kW-15kW), one (1) year from the date the product is received by the original purchaser or their authorized representative (installation contractor, etc.).
- Electronic Parts for Steam Bath Generators, Controls, Spa Options and Accessories – two (2) years from the date the product is received by the original consumer purchaser or their authorized representative (installation contractor, etc.); or for commercial purchasers, one (1) year from the date the product is received by the original purchaser or their authorized representative (installation contractor, etc.).
- Please go to www.brizo.com for the complete details of our limited warranty.