

# CT-6060 corner bathtub

**Model number:**

141118

**Dimensions:** 59" x 59" x 22"

**Installation:** Corner

**Material:** AcryIX™



## Standard Features:

- Symmetrical backrests with lumbar supports
- Armrests
- Deck for faucet
- Integrated seat
- 19 3/4 inch deep sump
- Bottom bathing well: 46 1/4 inch L x 27 1/4 inch W
- Textured floor

## Product characteristics:

- Integrated Armrest
- Integrated Seat
- Deck Space for Faucet

## Systems:

∞ Bodywrap

∞ Homestead

## Warranty:

Lifetime limited

## Standard colors:



White (002)



Bone (004)



Biscuit (007)

## Certifications

MAAX products adhere to one or more of the following certifications:



## Options (Visit our website for a complete list of our options)

No	Description
<input type="checkbox"/> OPT 10172	In-line heater (factory-installed)
<input type="checkbox"/> OPT 10174	Pump position opposite standard position
<input type="checkbox"/> OPT 20209	Trim Kit for Bodywrap whirlpool system

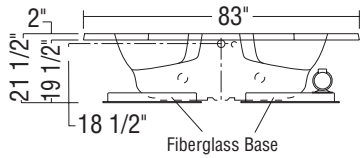
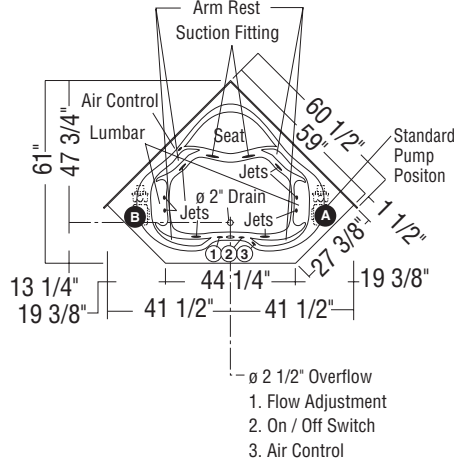
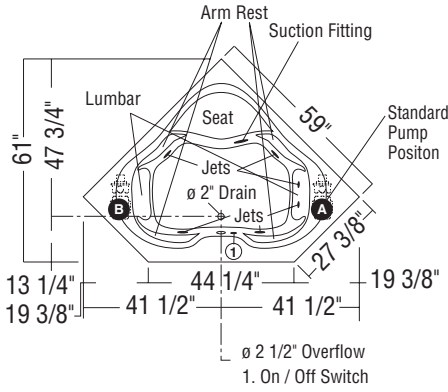
# CT-6060 corner bathtub

**Model number:** 141118

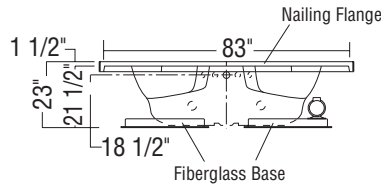
**Dimensions:** 59" x 59" x 22"

**Installation:** Corner

**Material:** AcrylX™



6-jet Homestead Collection CT-6060  
HMS (illustrated)



8-jet Bodywrap System CT-6060  
BWS (illustrated)

**Dimensions:**

59 x 59 x 21 1/2 in.

**Water capacity:**

106 gallons

**Weight:**

98 lbs

**Bathing well:**

46 1/4 X 27 1/4 in.

**Deep sump height:**

20 1/4 in.

**Deck width:**

6 3/4 in.

**Drain location:**

Center

All dimensions are approximate. Structure measurements must be verified against the unit to ensure proper fit.

Project: \_\_\_\_\_

Contractor: \_\_\_\_\_

Representative: \_\_\_\_\_

Date: \_\_\_\_\_

Tel: \_\_\_\_\_

Notes: \_\_\_\_\_