

CST243EF
CST244EF
CST423EF
CST424EF(G)
CST454CEF(G)
CST454CUF(G)
CST743E(N)
CST744E(G)(N)
CST494CEMF(G)

CST743ED
CST744ED
CST744EL(N)
CST744ELD
CST744EF.10
CST744EFD.10
CST754EF(N)
CST784EF
CST744EFN.10



Warranty Registration and Inquiry

For product warranty registration, TOTO U.S.A. Inc. recommends online warranty registration. Please visit our web site <http://www.totousa.com>. If you have questions regarding warranty policy or coverage, please contact TOTO U.S.A. Inc., Customer Service Department, 1155 Southern Road, Morrow, GA 30260 (888) 295-8134 or (678) 466-1300 when calling from outside of U.S.A.

TABLE OF CONTENTS

| | |
|---|-----|
| Thanks for Choosing TOTO!..... | 2 |
| Common Tools Needed..... | 2 |
| Included Parts | 2 |
| Before Installation..... | 3 |
| Installation Procedure..... | 3-5 |
| Toilet Tank Fill Valve Instructions | 5-6 |
| Flush Valve Servicing Instructions | 7 |
| Care and Cleaning | 7 |
| Warranty..... | 8 |
| Rough-In Dimensions | 24 |
| Replacement Parts..... | 25 |

THANKS FOR CHOOSING TOTO!

The mission of TOTO is to provide the world with healthy, hygienic and more comfortable lifestyles. We design every product with the balance of form and function as a guiding principle. Congratulations on your choice.

COMMON TOOLS NEEDED





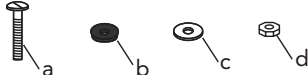
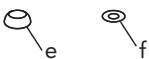
- | | |
|---|--|
| <ul style="list-style-type: none"> • 10" adjustable wrench • Carpenter's Level • Hacksaw • Tape Measure | <ul style="list-style-type: none"> • Hand Pliers • Flat Screwdriver • Putty Knife |
|---|--|

ADDITIONAL ITEMS (NOT SUPPLIED BY TOTO):

- Bowl Wax Ring
- Closet Flange Mounting Bolts
(usually 2 T-bolts, 2 metal washers and 2 nuts)
- Water Supply Line
(typically 1/2" compression to 7/8" ballcock)
- Toilet Seat (TOTO SoftClose recommended)

INCLUDED PARTS

Check to make sure you have all these parts from the package:

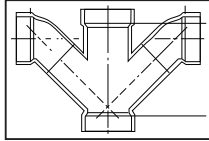
| | | | |
|---|---|--|--|
|  China Bowl |  Tank |  Tank Lid |  Tank to Bowl Gasket |
| <p>Tank to Bowl Hardware</p>  <p>a. Bolts (metal) - 2 b. Washers (rubber) - 2 c. Washers (metal) - 4 d. Nuts (metal) - 4</p> | | <p>Flange Caps (for Bowl)</p>  <p>e. Caps (plastic) - 2 b. Base (plastic) - 2</p> | |

BEFORE INSTALLATION

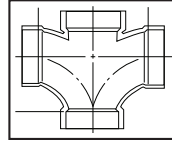
- ④ Read these instructions thoroughly before beginning work.
- ④ Please leave instructions for customers. These instruction contain maintenance and warranty information.
- ④ If necessary, remove the existing toilet.

IMPORTANT!

Due to the powerful performance of our Cyclone, G-Max, E-Max and Power Gravity flushing systems, they are not specified for back-to-back installations. The only means of installing these toilets in a back-to-back situation is when the toilet drain connections incorporate a WYE fitting. Please contact your builder or contractor prior to this installation.

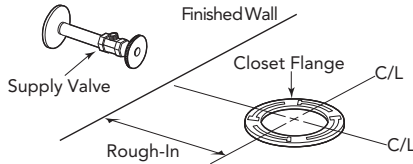


Double Combination WYE / 1/8 Bend
YES



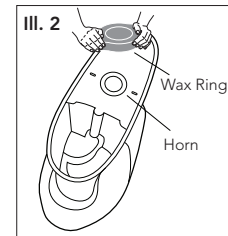
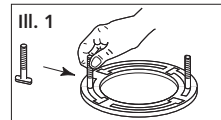
Double Sanitary Tee / Sanitary Cross
NO

In order for your new TOTO toilet to fit correctly, the distance between the finished wall to the center of the closet flange must be at 10 to 12 inches. This measurement is called the Rough-In.



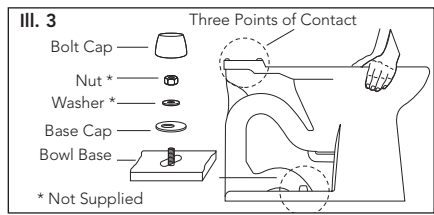
INSTALLATION PROCEDURE

- 1) Clean any debris out of the closet flange and then install new mounting bolts (not supplied) into the slots of the closet flange (see Illustration 1). The head of the bolt should be inserted into the slot with its threads facing upward.
- 2) Carefully turn the toilet upside down onto some padding. Firmly press a new bowl wax ring (not supplied) onto the circular recess around the toilet bowl's horn (see Illustration 2). Turn the toilet upright and gently lower into position over the closet flange. With toilet properly aligned, press firmly on both sides of toilet rim to set the bowl wax ring (see Illustration 3).



CAUTION: Do not move the bowl after the bowl wax ring is set. Thread the nuts and tighten evenly until bowl is snug to closet flange. Install the bolt caps (see Illustration 3).

CAUTION: Do not over-tighten the nuts as damage to the china bowl may result.



Installation Procedures (continued)

NOTE: Three Points of Contact:

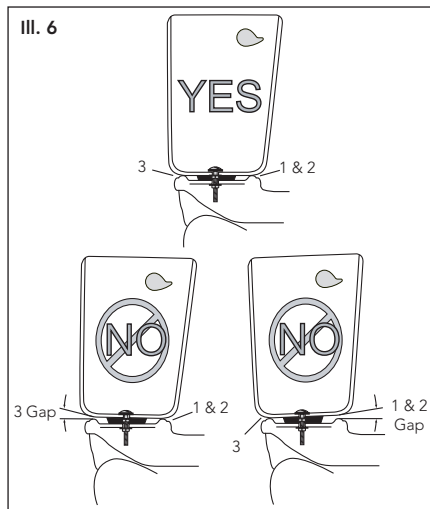
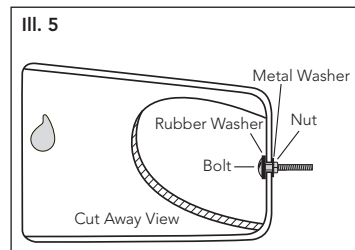
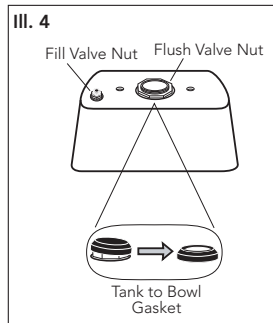
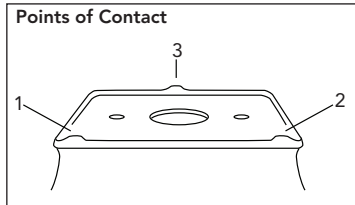
The toilet bowl has three points of contact, which will actually contact the bottom of the toilet tank when properly installed. The location of these points can be seen on the bowl at the tank receiving area. The three points are front left (1), front right (2), and back center (3). Recall these three points during the Toilet Tank installation

- 3) Place the tank upside down onto some padding. Inspect the smaller fill valve nut and larger flush valve nut for a secure connection (see Illustration 4). Try to tighten the nuts with your hands. If loose, tighten the nut hand tight and an additional 1/4 turn for the smaller fill valve nut and an additional 1/2 turn for the larger flush valve nut.

Place the tank-to-bowl gasket onto the flush valve nut. While pressing down, spread the gasket over the nut until the gasket touches the bottom of the tank. A slight gap between the tank bottom and the gasket is allowable.

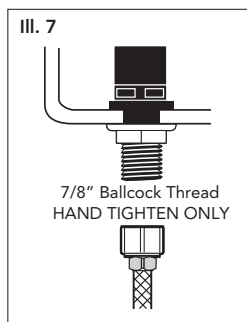
- 4) Lay the tank down on its back. Place a rubber washer onto a brass bolt (see Illustration 5). Reach inside the tank and position the bolt through one of the holes in the bottom of the tank. On the outside of the tank, place a metal washer and nut onto the bolt. Hold the bolt centered in the hole and tighten the nut finger tight. Turn the nut an additional 1/2 turn with a wrench. Repeat this process for the remaining hole in the tank.

Pick up the tank and carefully guide the brass bolts to align the tank with the bowl. Attach a metal washer and nut to each bolt. Tighten the nuts finger tight and inspect that the tank is level (see Illustration 6). Once level, tighten the bolts equally until the tank makes **THREE POINTS OF CONTACT** with the bowl.



Installation Procedures (continued)

- 5) Flush the water supply line for a few seconds to remove any debris that may enter the new fill valve. (For new home constructions and/or additions, flush the water supply line for more than a minute to help remove any residual PVC adhesives, solder flux, and/or pipe sealants that were used for the new plumbing.) Connect the water supply line to the fill valve threads as seen at the bottom of toilet tank (see Illustration 7). Tighten this connection finger tight.



CAUTION: Avoid using a wrench to tighten the connection as you may damage the plastic threads and/or cause the fill valve to rotate inside the tank.

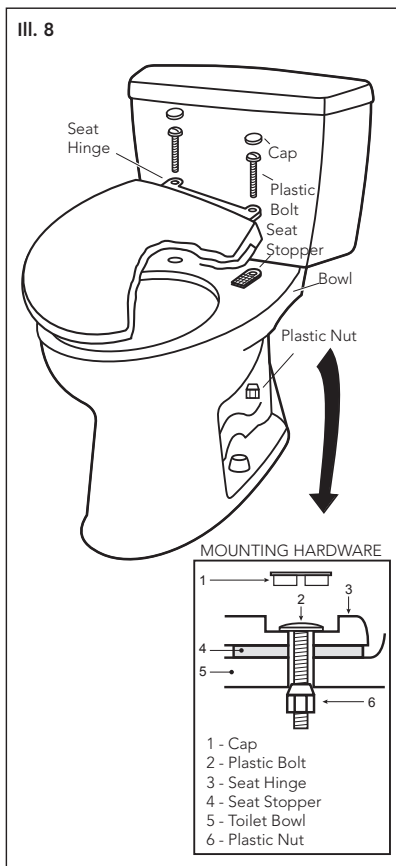
NOTE: The water supply pressure should be 20 to 80 psi static.

- 6) No ballcock / fill valve adjustments are needed. The water will automatically stop at proper level.

Flush the toilet several times. Check flapper valve for proper operation. Make sure that chain is not tangled and that the flapper arm is in its proper position.

- 7) Install the toilet tank lid onto the toilet tank top.
- 8) Install the toilet seat onto the toilet bowl using the mounting hardware in the toilet seat box. Place seat onto bowl and rotate the hinge down. Position seat stoppers under the seat hinge. Insert bolt into seat hinge and through the toilet bowl. Install plastic nut onto bolt from underneath. Tighten the bolt securely. Install the seat bolt caps.

NOTE: Tighten the seat bolt until the hinge is secure. The seat and lid will have slight side to side movement, which is normal. This freedom of movement allows the seat to SoftClose® without binding.



TOILET TANK FILL VALVE INSTRUCTIONS

Installation Procedure

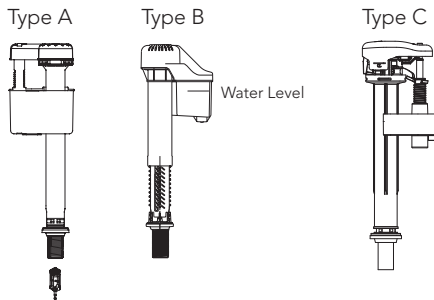
- 1) Shut off the water supply to the toilet.
- 2) Flush toilet and remove remaining water from tank with a sponge.
- 3) Remove the water supply connection at the fill valve.
- 4) Remove old fill valve and use damp sponge to clean hole in tank.

Installation Procedures (continued)

- 5) Place new fill valve inside tank hole.
- 6) Thread mounting nut onto fill valve shank and tighten the nut.
 NOTE: Do not over-tighten. Be sure to install fill valve in a position that does not interfere with the trip lever operation.
- 7) Connect water supply to fill valve shank and hand-tighten only.
 NOTE: Do not overtighten. These are plastic parts. Never use pipe dope on any water supply connection.
- 8) Attach refill tube to fill valve nipple and clip other end of refill tube to the overflow pipe.
- 9) Turn water supply ON and check for leaks outside the tank.
 NOTE: As water fills the tank, water is also directed into the overflow tube via the refill tube. This additional flow of water is critical to refilling your toilet's bowl. Once the water stops filling the tank, some residual drops of water may drip from the fill valve. This is NORMAL as these drops will subside.

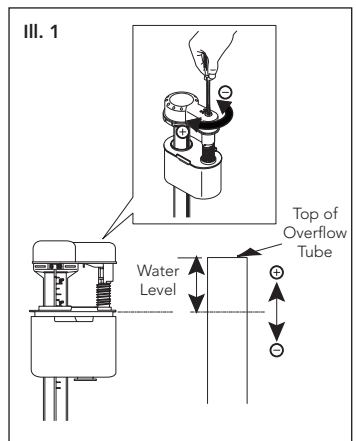
Water Level Adjustment

Depending on the manufacturing plant, you may have one of two of the following fill valves:



For Type A and Type C Fill Valve:
 Refer to the water level (WL) setting marked on the inner wall of the tank. Allow the water to fill the tank. Turn the adjustment screw clockwise in the (+) direction to increase the water level height (see Illustration 1). Turn the adjustment screw counter-clockwise in the (-) direction to decrease the water level height. Flush the toilet to verify the correct water level. Adjust as necessary.

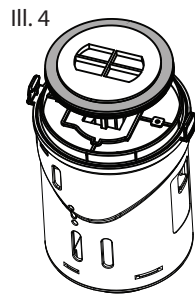
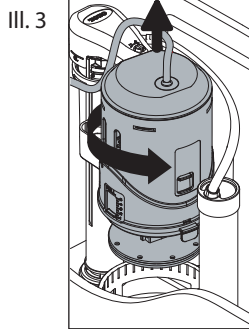
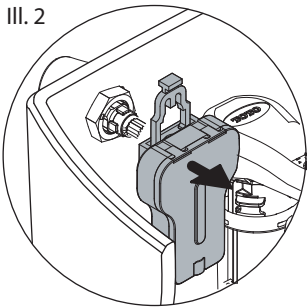
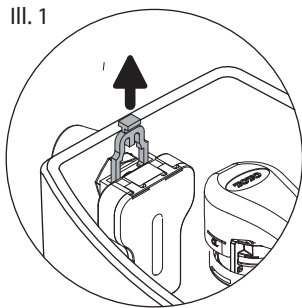
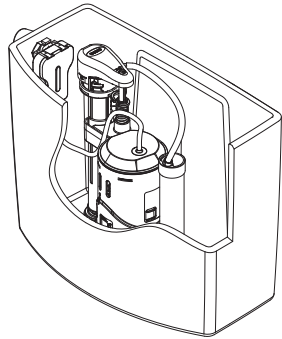
For Type B Fill Valve:
 There are no water level adjustments. The fill valve has been preset at the factory.



FLUSH VALVE SERVICING INSTRUCTION

(ST453U Model Tank Only)

1. Turn off water supply and flush the toilet. Remove the remaining water from tank with a sponge.
2. Remove the tank lid and place it upside down on a clean surface.
3. Pull the clip on top of trip lever gear box as shown.
4. Pull gear box away and set on the side as shown. (see III. 1 & III. 2)
5. Rotate and pull up on the flush tower to remove it. (see III. 3)
6. Remove the grey rubber seal gasket and rinse under running water to clean. (see III. 4)
7. Place the gasket back on the flush tower.
8. Align and place the flush tower into housing and gently press to snap and to lock into place.
9. Replace the trip lever gear box and push down on lever to lock it in place.
10. Carefully install the tank lid back on the tank.
11. Flush the toilet several times making sure the trip lever operates normally.
12. Check the water level in the tank and leak.



CARE AND CLEANING

WARNING!

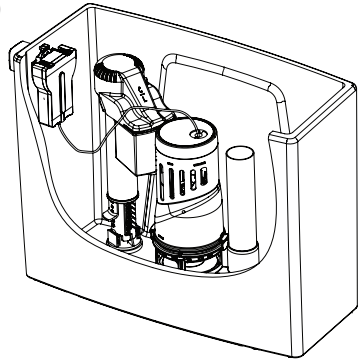
DO NOT USE IN-TANK BOWL CLEANERS.

The use of high concentration of chlorine or chlorine-related products can seriously damage fittings in the tank. This damage can cause leakage and property damage. TOTO shall not be responsible or liable for any tank fitting failure or damage caused by the use of in-tank bowl cleaners.

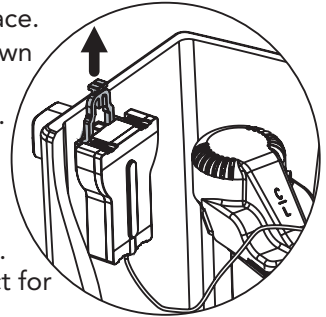
FLUSH VALVE SERVICING INSTRUCTION

ST494M (CST494CEMFG)

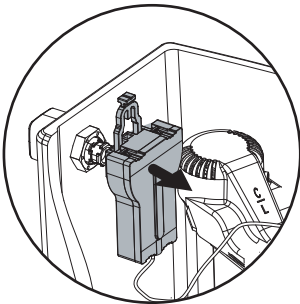
- 1) Shut off the water supply to the toilet.
- 2) Flush toilet and remove remaining water from tank with a sponge.
- 3) Remove the tank lid and place it upside down on a clean surface.
- 4) Pull the clip on top of trip lever gear box as shown.
- 5) Pull gear box away and set on the side as shown. (see III. 1 & III. 2)
- 6) Rotate and pull up on the flush tower to remove it. (see III. 3)
- 7) Remove the grey rubber seal gasket and rinse under running water to clean. (see III. 4)
- 8) Place the gasket back on the flush tower.
- 9) Align and place the flush tower into housing and gently press to snap and to lock into place.
- 10) Replace the trip lever gear box and push down on lever to lock it in place.
- 11) Carefully install the tank lid back on the tank.
- 12) Flush the toilet several times making sure the trip lever operates normally. Pull trip lever handle Forward for the Full Flush and Push backward for the Light Flush.
- 13) Check the water level in the tank and inspect for signs of any leakage.



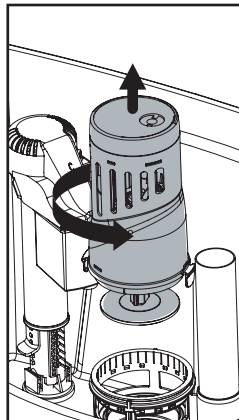
III. 1



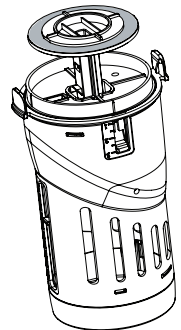
III. 2



III. 3



III. 4



WARRANTY

1. TOTO warrants its vitreous china products ("Product") to be free from defects in materials and workmanship during normal use when properly installed and serviced, for a period of one (1) year from date of purchase. This limited warranty is extended only to the ORIGINAL PURCHASER of the Product and is not transferable to any third party, including but not limited to any subsequent purchaser or owner of the Product. This warranty applies only to TOTO Product purchased and installed in North, Central and South America.
2. TOTO's obligations under this warranty are limited to repair, replacement or other appropriate adjustment, at TOTO's option, of the Product or parts found to be defective in normal use, provided that such Product was properly installed, used and serviced in accordance with instructions. TOTO reserves the right to make such inspections as may be necessary in order to determine the cause of the defect. TOTO will not charge for labor or parts in connection with warranty repairs or replacements. TOTO is not responsible for the cost of removal, return and/or reinstallation of the Product.
3. This warranty does not apply to the following items:
 - a. Damage or loss sustained in a natural calamity such as fire, earthquake, flood, thunder, electrical storm, etc.
 - b. Damage or loss resulting from any accident, unreasonable use, misuse, abuse, negligence, or improper care, cleaning, or maintenance of the Product.
 - c. Damage or loss resulting from sediments or foreign matter contained in a water system.
 - d. Damage or loss resulting from improper installation or from installation of the Product in a harsh and/or hazardous environment, or improper removal, repair or modification of the Product. (NOTE: Product model codes allow a maximum of 80 PSI. Check local codes or standards for requirements).
 - e. Damage or loss resulting from electrical surges or lightning strikes or other acts which are not the fault of TOTO or which the Product is not specified to tolerate.
 - f. Damage or loss resulting from normal and customary wear and tear, such as gloss reduction, scratching or fading over time due to use, cleaning practices or water or atmospheric conditions.
 - g. Tank flushing mechanisms of plastic or rubber moving parts.
 - h. Toilet seats of plastic, wood or metal.
4. In order for this limited warranty to be valid, proof of purchase is required. TOTO encourages warranty registration upon purchase to create a record of Product ownership at <http://www.totousa.com>. Product registration is completely voluntary and failure to register will not diminish your limited warranty rights.
5. THIS WARRANTY GIVES YOU SPECIFIC LEGAL RIGHTS. YOU MAY HAVE OTHER RIGHTS WHICH VARY FROM STATE TO STATE, PROVINCE TO PROVINCE OR COUNTRY TO COUNTRY.
6. To obtain warranty repair service under this warranty, you must take the Product or deliver it prepaid to a TOTO service facility together with proof of purchase (original sales receipt) and a letter stating the problem, or contact a TOTO distributor or products service contractor, or write directly to TOTO U.S.A., INC., 1155 Southern Road, Morrow, GA 30260 (678) 466-1300 or (888) 295-8134, if outside the U.S.A. If, because of the size of the Product or nature of the defect, the Product cannot be returned to TOTO, receipt by TOTO of written notice of the defect together with proof of purchase (original sales receipt) shall constitute delivery. In such case, TOTO may choose to repair the Product at the purchaser's location or pay to transport the Product to a service facility.

WARNING! TOTO shall not be responsible or liable for any failure of, or damage to, this Product caused by either chloramines in the treatment of public water supply or cleaners containing chlorine (calcium hypochlorite). NOTE: The use of a high concentrate chlorine or chlorine related products can seriously damage the fittings. This damage can cause leakage and serious property damage.

THIS WRITTEN WARRANTY IS THE ONLY WARRANTY MADE BY TOTO. REPAIR, REPLACEMENT OR OTHER APPROPRIATE ADJUSTMENT AS PROVIDED UNDER THIS WARRANTY SHALL BE THE EXCLUSIVE REMEDY AVAILABLE TO THE ORIGINAL PURCHASER. TOTO SHALL NOT BE RESPONSIBLE FOR LOSS OF THE PRODUCT OR FOR OTHER INCIDENTAL, SPECIAL OR CONSEQUENTIAL DAMAGES OR EXPENSES INCURRED BY THE ORIGINAL PURCHASER, OR FOR LABOR OR OTHER COSTS DUE TO INSTALLATION OR REMOVAL, OR COSTS OF REPAIRS BY OTHERS, OR FOR ANY OTHER EXPENSE NOT SPECIFICALLY STATED ABOVE. IN NO EVENT WILL TOTO'S RESPONSIBILITY EXCEED THE PURCHASE PRICE OF THE PRODUCT. EXCEPT TO THE EXTENT PROHIBITED BY APPLICABLE LAW, ANY IMPLIED WARRANTIES, INCLUDING THAT OF MERCHANTABILITY OR FITNESS FOR USE OR FOR A PARTICULAR PURPOSE, ARE EXPRESSLY DISCLAIMED. SOME STATES DO NOT ALLOW LIMITATIONS ON HOW LONG AN IMPLIED WARRANTY LASTS, OR THE EXCLUSION OR LIMITATION OF INCIDENTAL OR CONSEQUENTIAL DAMAGES, SO THE ABOVE LIMITATION AND EXCLUSION MAY NOT APPLY TO YOU.