

TOTO®

MW604584CUFG

UltraMax® II 1G® Connect+™ Toilet, 1.0GPF with Washlet® S350e Connect+

FEATURES

- Concealed supply connection for seamless installation
- Ultra high-efficiency Tornado Flush™ (1.0GPF/3.8LPF)
- CeFiONtect™ glaze prevents debris from sticking to ceramic surfaces for easy cleaning
- Universal Height
- Elongated front bowl
- Decorative one-piece design with high-profile tank
- Chrome trip lever
- 12" Rough-in, less supply
- Auto open/close lid
- See Spec sheet SW584T20 for Washlet features

MODELS

- CST604CUFGT20
With CeFiONtect glaze

REQUIRED WASHLET CONNECT+

- SW584T20 Washlet® S350e Connect+
Fits TOTO Connect+ toilet bowl models only

COLORS/FINISHES

- Standard
#01 Cotton

PRODUCT SPECIFICATION

The one-piece ultra high-efficiency Tornado Flush toilet shall be 1.0GPF/3.8LPF. Universal Height Toilet with CeFiONtect glaze finish. Toilet shall have high-profile tank, elongated front bowl and chrome trip lever. Toilet shall be **TOTO Model CST604CUFGT20#01**.

See TOTO Specification sheet **SW584T20** for details on required Washlet.



CODES/STANDARDS

- Meets and exceeds ASME A112.19.2/CSA B45.1
- Certifications: IAPMO(cUPC), EPA WaterSense, State of Massachusetts, City of Los Angeles, and others
- Code compliance: UPC, IPC, NSPC, NPC Canada, and others
- Legislative Compliance: California AB715, California Green Building Code, City of Los Angeles Water Efficiency Ordinance
- ADA compliant (when installed with trip lever located on the approach side)



MW604584CUFG

Ultramax® II 1G® Connect+™ Toilet, 1.0GPF with Washlet® S350e Connect+

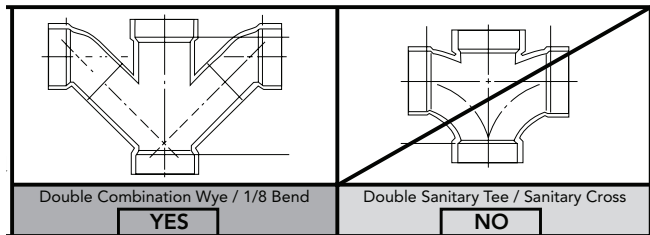
SPECIFICATIONS

- Water Use 1.0 GPF/3.8LPF
- Flush System Tornado Flush™
- Min. Water Pressure 8 psi (static)
- Water Surface 7-1/8" x 9-1/8"
- Trap Diameter 2-1/8"
- Rough-in 12"
- Trap Seal 2-1/8"
- Warranty One Year Limited Warranty
- Material Vitreous china
- Shipping Weight CST604CUFGT20 99lbs.
SW584T20 13.5lbs.
- Shipping Dimensions CST604CUFGT20
32" L x 20" W x 17-3/4" H¹ x
28-3/4" H²
SW584T20
23" X 19-1/4" X 5-1/2"
- See Spec sheet **SW584T20** for Washlet details

INSTALLATION NOTES

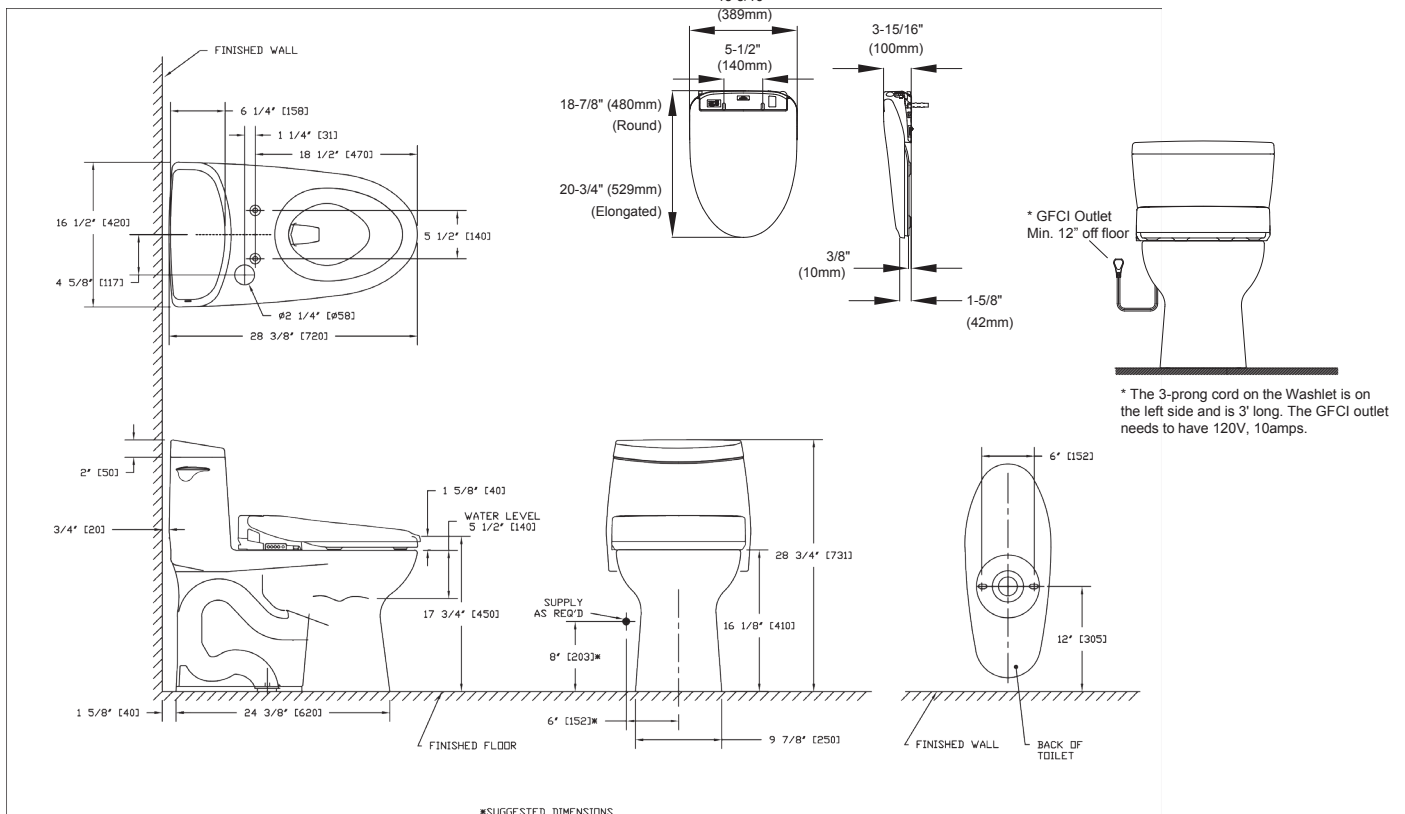
Back-to-Back Toilet Installations:

TOTO recommends the use of a nationally listed, double sanitary tee-wye only, in vertical waste stacks, in accordance with the stipulations noted in the majority of nationally recognized plumbing codes.



To maintain adequate wall gap between the back of the tank and wall, mount the floor flange at a nominal 12" rough-in distance.

Ultra-low high efficiency toilets require a system with adequate supplemental flows from other water usage fixtures and a 4" ID drainline with minimum 2% slope and maximum linear runs of 60ft.



TOTO

These dimensions and specifications are subject to change without notice