

67" MAXMILLIAN CAST IRON DOUBLE SLIPPER

Cat. No.
CTDSN67



Features:

- ▶ Inside finish is white enamel
- ▶ Cast Iron leaf feet
- ▶ Tub exterior is white
- ▶ No faucet holes
- ▶ Pre-drilled overflow hole
- ▶ Continuous rolled rim
- ▶ Feet are attached and leveled before shipment
- ▶ Tub is thoroughly inspected before shipment

Foot Finishes:

- | | |
|------------------------------|---------------------------|
| BN Brushed Nickel | PN Polished Nickel |
| CP Polished Chrome | WH Painted White |
| ORB Oil Rubbed Bronze | UF Unfinished |
| PB Polished Brass | |



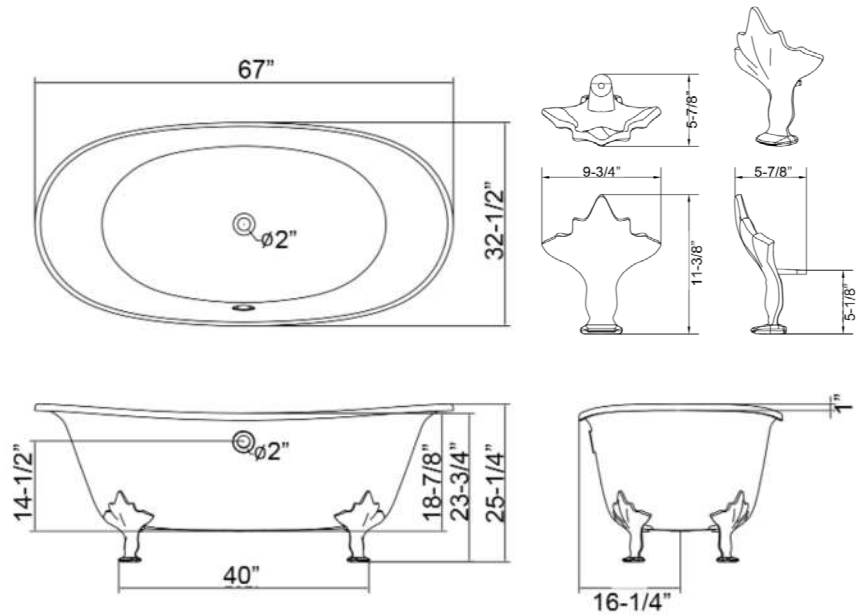
Custom Colors Available (inside of tub is always white enamel):
Painted bathtubs are considered "special order" and are not returnable
\$160 Bisque or Black \$250 Designer Color

L: 67"
W: 32-1/2"
H: 25-1/4" (from floor to top of tub)
23-3/4" (from floor to center of tub)

Water depth: 18-7/8" to top of tub
Water depth: 14-1/2" to overflow

The following is recommended for CTDSN tubs without faucet holes:

- Faucets: part #4602, 4604 7082
- Rigid, freestanding supplies: part #4502
- Leg tub drain: part #5599



Gallon Capacity :	33
Shipping Weight:	370 lbs.
Empty Weight:	320 lbs.
Filled Weight:	596 lbs

Dimensions and specifications subject to change without notice.

01/22/2021

P 847•244•1234

www.barclayproducts.com