

# Wellfleet Single Arm Wall

CW1121, CW1131, CW1141 | 1.0

## GENERATION LIGHTING WALL

### GENERAL PRODUCT INFORMATION:

These fixtures are intended to be installed utilizing NEC compliant junction boxes.

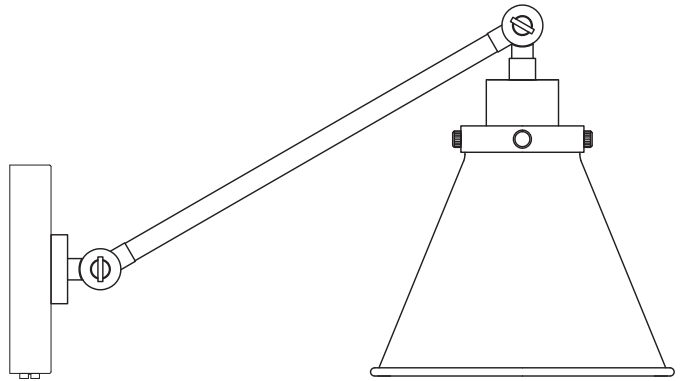
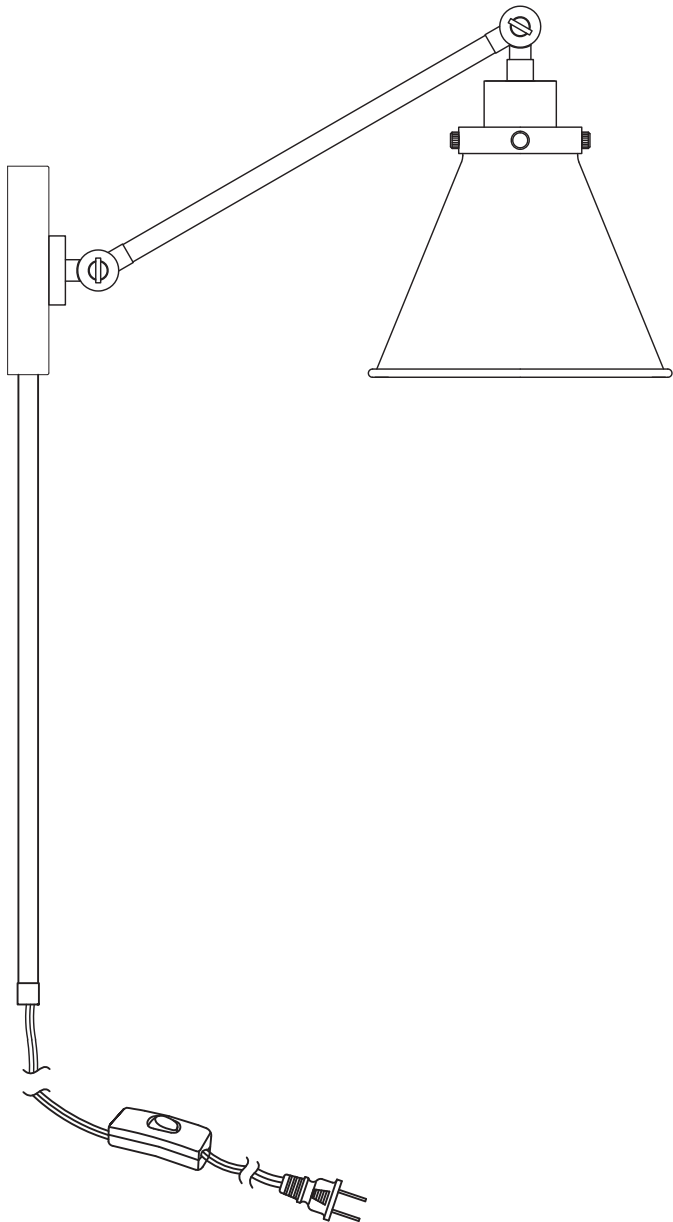
This product is safety listed for damp locations.

Incandescent version may be dimmed with a standard incandescent dimmer. LED version may be dimmed with a LED dimmer. Consult lamp manufacturer for additional information.

This instruction shows a typical installation.

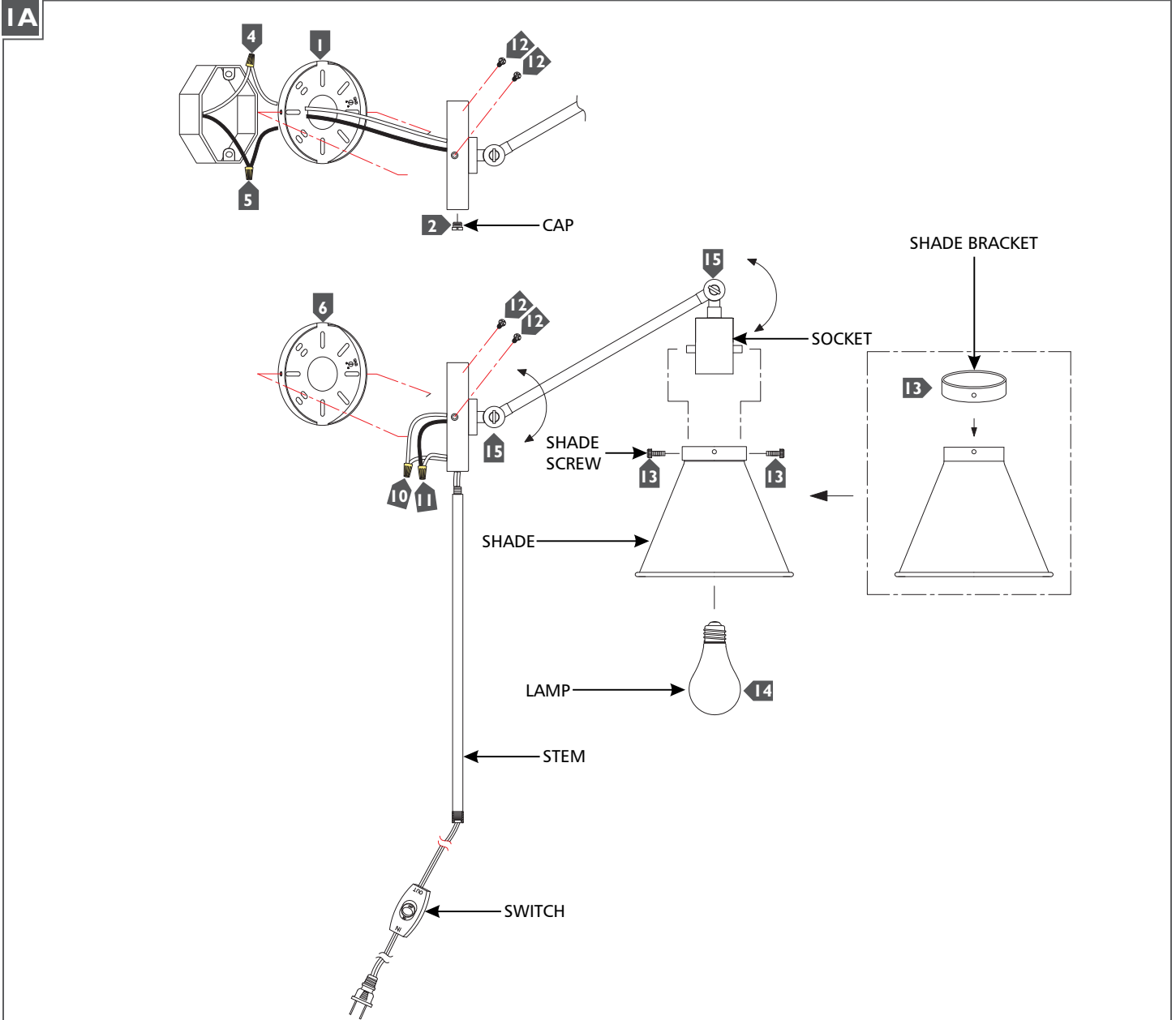
**SAVE THESE INSTRUCTIONS!**

**CAUTION - RISK OF FIRE**  
This product must be installed in accordance with the applicable installation code by a person familiar with the construction and operation of the product and the hazards involved.  
**Use minimum 90°C supply conductors.**



GENERATION LIGHTING  
7400 Linder Ave., Skokie, IL 60077  
T 847.410.4400 | F 847.410.4500  
www.generationlighting.com

# Install the Fixture



## For Standard Wiring:

- 1 Secure the mounting plate to the junction box.
- 2 Screw the cap into the hole in the bottom of the backplate.
- 3 Connect the fixture ground wire to a suitable ground in accordance to local electrical codes.
- 4 Connect the white fixture wire to the neutral power line wire (square and/or rigid) with a wire nut.
- 5 Connect the black fixture wire to the hot power line wire (round and/or smooth) with a wire nut.

## For Plug-in:

- 6 Secure the mounting plate to the wall.
- 7 Feed the cord though the stem and through the hole in the bottom of the backplate.
- 8 Screw the stem into the bottom of the backplate.
- 9 Connect the fixture ground wire to a suitable ground in accordance to local electrical codes.
- 10 Connect the white fixture wire to the neutral cord wire (square and/or rigid) with a wire nut.
- 11 Connect the black fixture wire to the hot cord wire (round and/or smooth) with a wire nut.

## For Both:

- 12 Properly place all wires and wire nut connections into the junction box/fixture base, mount the fixture onto the mounting plate/fixture bracket, and secure it in place using the fixture screws.
- 13 Install the shade by aligning the holes on the shade with the holes on the bracket and the socket, then secure in place using the shade screws.
- 14 Screw the lamp into the socket. Refer to the label on the socket for Max Wattage Information.
- 15 Adjust the fixture arm as needed.