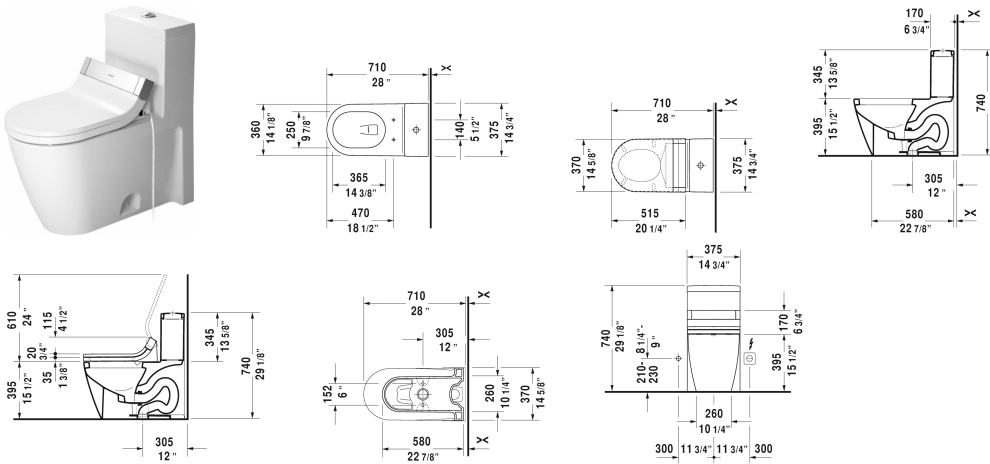


**Starck 2 Toilet kit # D1654900**

< 14 3/4" Inch >



Toilet kit	Dimension	Weight	Order number
One-Piece toilet & SensoWash® Starck shower-toilet seat, WaterSense® listed			
<b>Colors</b>			
00 White			
<b>Variant</b>			
	14 3/4" x 28 1/8" Inch	138.3 lb	D1654900
<b>Suitable products</b>			
SensoWash® Starck shower-toilet seat for Starck 2, Starck 3 and Darling New* Rear-, Lady- and Comfortwash, individual adjustment of water-, air- and seat surface temperature as well as nozzle position and jet strength, power actuated lid and seat, night light, 2 individually programmable user profiles, remote control included, self-cleaning wand, on / off-button, Quick release: easy seat unit removal and attachment, 14 5/8" x 20 1/4" Inch	14 5/8" x 20 1/4" Inch		610000
One-Piece toilet suitable for SensoWash Starck, syphonic, 12" rough-in, with single flush piston valve, top flush, vertical outlet, cUPC® listed*, WaterSense® listed, 1.28 gpf, 14 3/4" x 28 1/8" Inch	14 3/4" x 28 1/8" Inch		213301

All drawings contain the necessary measurements which are subject to standard tolerances. They are stated in inch & mm and are non-binding. Exact measurements, in particular for customized installation scenarios, can only be taken from the finished ceramic piece.