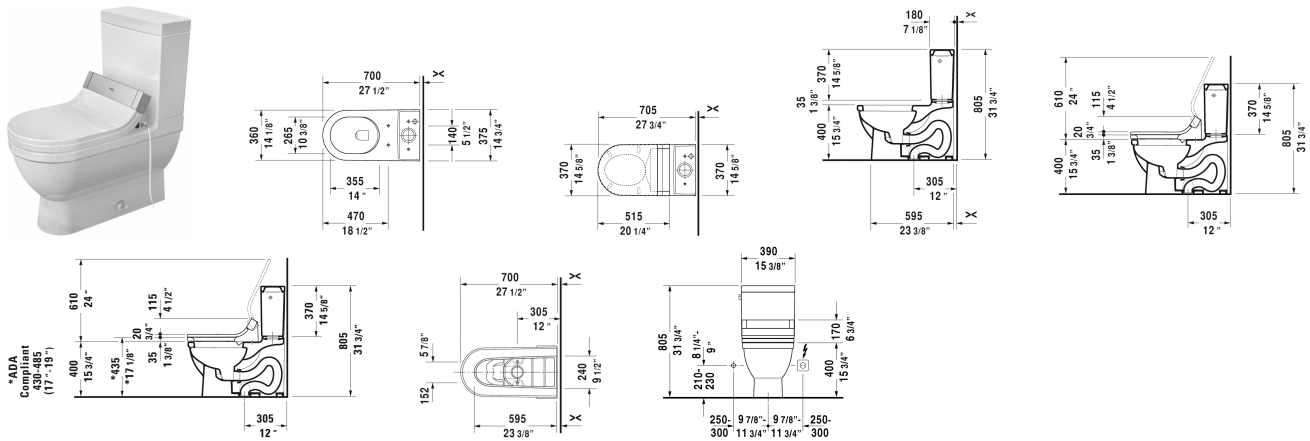


Starck 3 Toilet kit # D1910000

| < 15 3/8" Inch > |



Toilet kit	Dimension	Weight	Order number
Toilet bowl, Tank & SensoWash® Starck shower-toilet seat, WaterSense® listed			
Colors			
00 White			
Variant			
	15 3/8" x 27 3/4" Inch	128.8 lb	D1910000
Suitable products			
Tank with single flush mechanism, with side lever, 3" flapper valve, bottom left supply, cUPC® listed*, WaterSense® listed, 15 3/8" x 7 1/8" Inch	15 3/8" x 7 1/8" Inch		092040
SensoWash® Starck shower-toilet seat for Starck 2, Starck 3 and Darling New* Rear-, Lady- and Comfortwash, individual adjustment of water-, air- and seat surface temperature as well as nozzle position and jet strength, power actuated lid and seat, night light, 2 individually programmable user profiles, remote control included, self-cleaning wand, on / off-button, Quick release: easy seat unit removal and attachment, 14 5/8" x 20 1/4" Inch	14 5/8" x 20 1/4" Inch		610000
Two-Piece toilet (without tank), suitable for SensoWash Starck, syphonic, 12" rough-in, vertical outlet, cUPC® listed*, WaterSense® listed, 1.28 gpf, 14 5/8" x 27 3/4" Inch	14 5/8" x 27 3/4" Inch		212501

All drawings contain the necessary measurements which are subject to standard tolerances. They are stated in inch & mm and are non-binding. Exact measurements, in particular for customized installation scenarios, can only be taken from the finished ceramic piece.