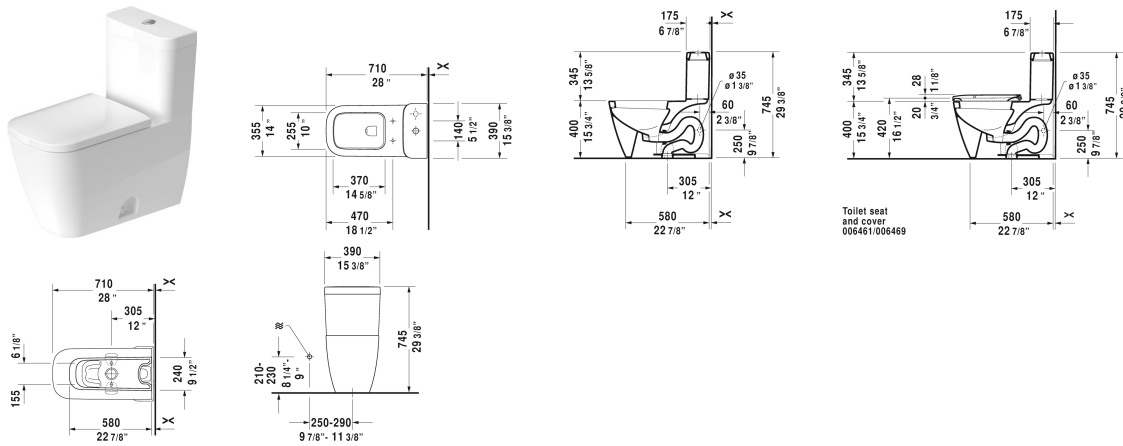


Happy D.2 Toilet kit # D4102100

< 15 3/8" Inch >



Toilet kit	Dimension	Weight	Order number
One-Piece toilet & Toilet seat and cover, WaterSense® listed			
Colors			
00 White			
Variant			
	15 3/8" x 28" Inch	132 lb	D4102100
Suitable products			
Toilet seat and cover hinges stainless steel, elongated, with slow close,			006469
One-Piece toilet syphonic, 12" rough-in, with dual flush piston valve, top flush, vertical outlet, cUPC® listed*, WaterSense® listed, 1.32/0.92 gpf, 15 3/8" x 28" Inch	15 3/8" x 28" Inch		212101

All drawings contain the necessary measurements which are subject to standard tolerances. They are stated in inch & mm and are non-binding. Exact measurements, in particular for customized installation scenarios, can only be taken from the finished ceramic piece.