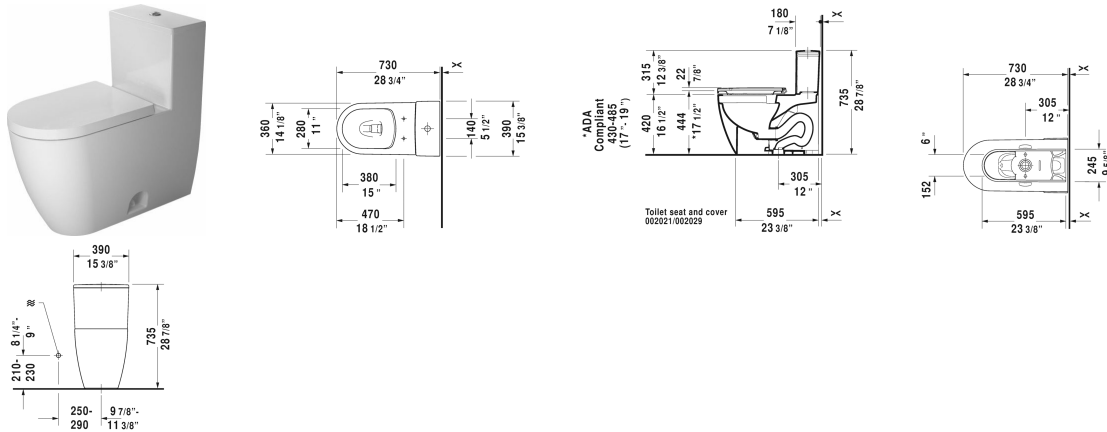


**ME by Starck Toilet kit # D4201900**

< 14 1/8" Inch >



Toilet kit	Dimension	Weight	Order number
One-Piece toilet & Toilet seat and cover, WaterSense® listed			
<b>Colors</b>			
00 White			
<b>Variant</b>			
	14 1/8" x 28 3/4" Inch	149.5 lb	D4201900
<b>Suitable products</b>			
Toilet seat and cover elongated, hinges stainless steel, removable, with slow close,			002029
One-Piece toilet Duravit Rimless® rimless, syphonic, 12" rough-in, suitable for SensoWash Starck, vertical outlet, cUPC® listed*, WaterSense® listed, 14 1/8" x 28 3/4" Inch			217301

All drawings contain the necessary measurements which are subject to standard tolerances. They are stated in inch & mm and are non-binding. Exact measurements, in particular for customized installation scenarios, can only be taken from the finished ceramic piece.