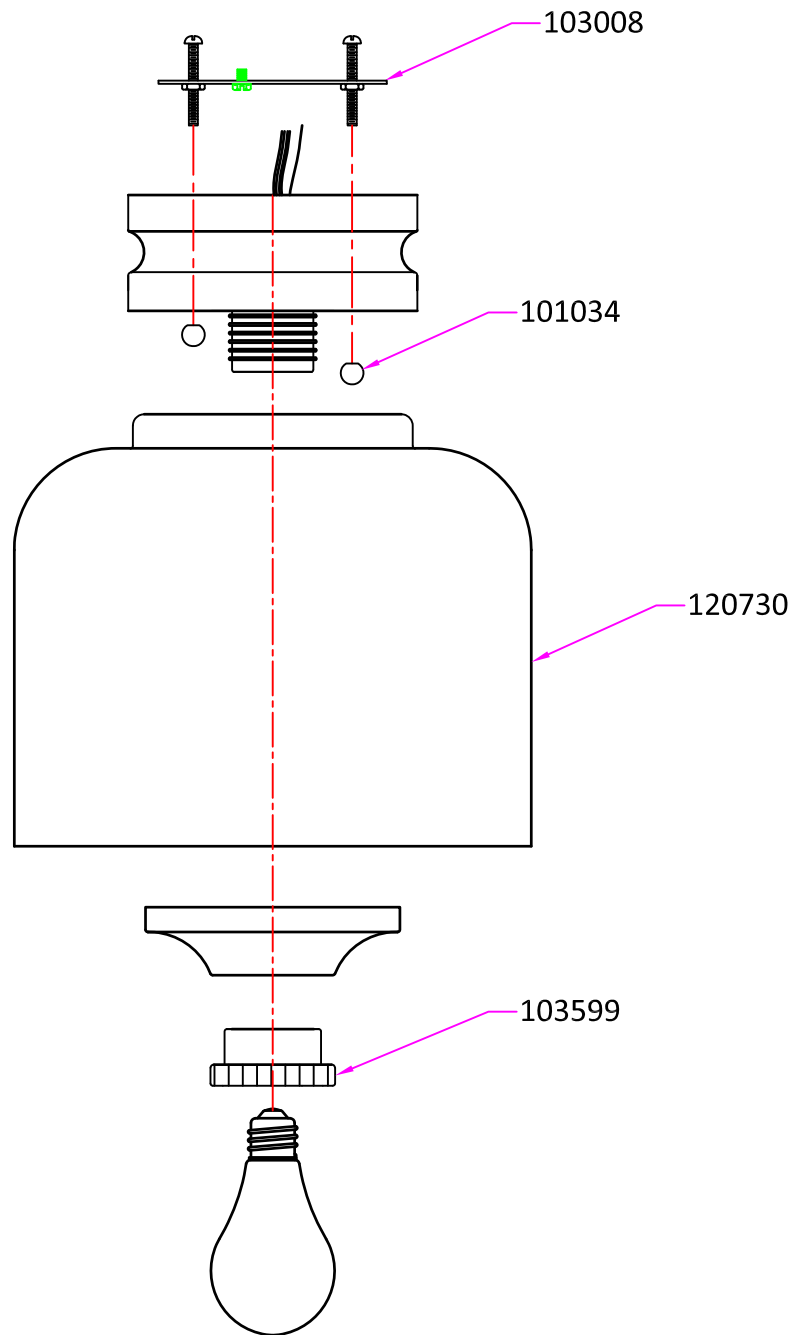


Replacement Parts

FM404PN



Qty.	Part #	Description
	101034	Dia.10mm Ball Cap Nut PN
	103008	Universal Round
	103599	Counter Ring Plating Nickel
	120730	Glass FM404