

# GN-58 30" x 60" Veritek Tub Wall Kit

**Model number:**

GN58000

**Dimensions:** 30" x 60" x 58"

**Installation:** Glue up

**Material:** Veritek

## Standard Features:

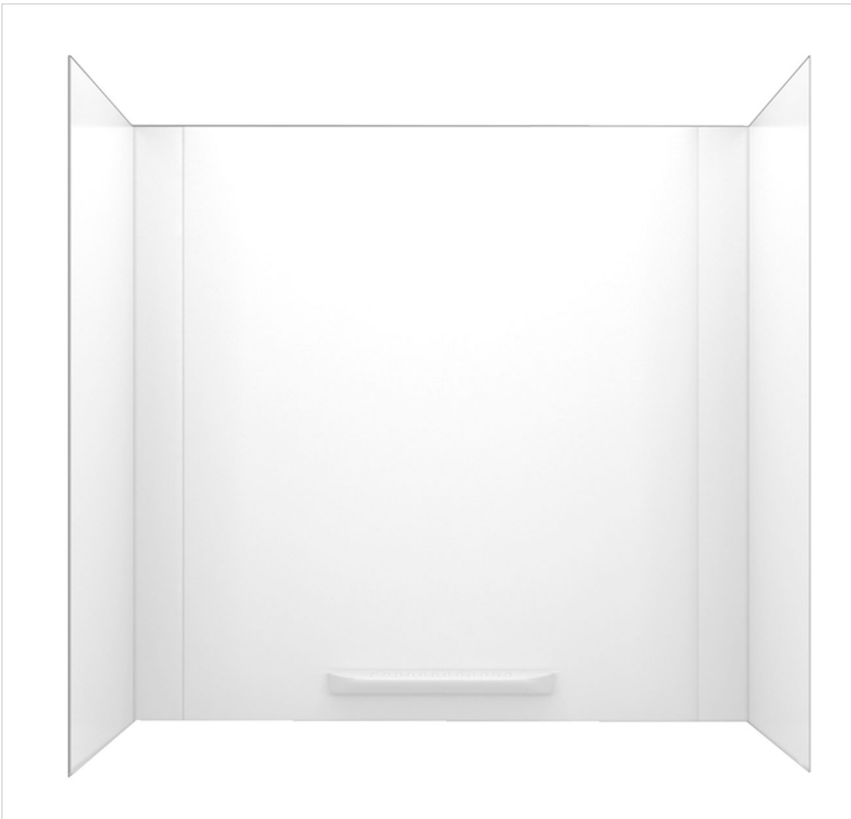
- Fits 30" D x 60" W or smaller tub area, 58" H
- Affordable wall system made of Veritek™ with no surface coating to chip or crack - color runs throughout.
- Granite look adds elegance to your bath.
- Universal design/ADA compliant for grab bar installation.
- Will not mold or mildew.
- Ideal for both remodeling projects and new construction.

## Product characteristics:

- DIY Product
- Designed for tub replacement
- Easily Trim to Fit

## Warranty:

Lifetime limited



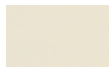
## Standard colors:



White (010)



Bisque (018)



Bone (037)

## Certifications

Swan products adhere to one or more of the following certifications:



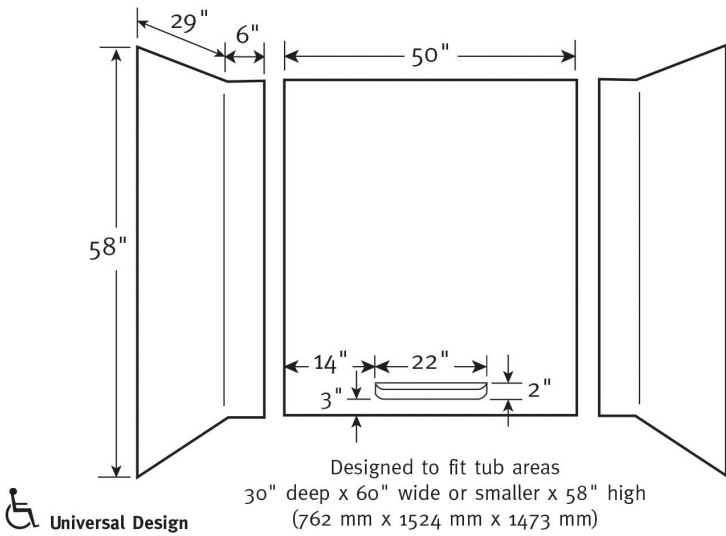
# GN-58 30" x 60" Veritek Tub Wall Kit

**Model number:** GN58000

**Dimensions:** 30" x 60" x 58"    **Installation:** Glue up

**Material:** Veritek

<b>Dimensions:</b>
30 x 60 x 58 in.
<b>Weight:</b>
57 lbs



Project: \_\_\_\_\_

Contractor: \_\_\_\_\_

Representative: \_\_\_\_\_

Date: \_\_\_\_\_

Tel: \_\_\_\_\_

Notes: \_\_\_\_\_

\_\_\_\_\_

\_\_\_\_\_