

INSTALLATION AND SAFETY INSTRUCTIONS

IMPORTANT SAFETY INSTRUCTIONS

- Be sure the electricity to the system you are working on is turned off; either the fuse removed or the circuit breaker set at off.
- Use of other manufacturers components will void warranty, listing and create a potential safety hazard.
- If you are unclear as to how to proceed, contact a qualified electrician.
- You don't need special tools to install this fixture.
- Be sure to follow the steps in the order given.
- Read instructions carefully
- In order for this lighting fixture to operate properly the buildings electrical system must be grounded.
- Save these instructions.

NOTE: FOR FIXTURES PROVIDED WITH 75°C OR 90°C SUPPLY WIRE WARNING ONLY: RISK OF FIRE. MOST DWELLINGS BUILT BEFORE 1985 HAVE SUPPLY WIRE RATED 60°C. CONSULT A QUALIFIED ELECTRICIAN BEFORE INSTALLING.

ASSEMBLY

NOTE: Because of the size of this fixture, we recommend two people to install this fixture.

STEP 1:

Remove center cover (B) by squeezing cover together and pulling out of tabs (C).

STEP 2:

Remove 7/8" diameter wire exit plug and oval mounting knock-outs by taking a screwdriver and punching out plug and knock-outs from back side of fixture pan (A).

Do not install on a ceiling that would cause the lift and shift mechanism to disengage (ie. slope ceiling, drop ceiling etc.)

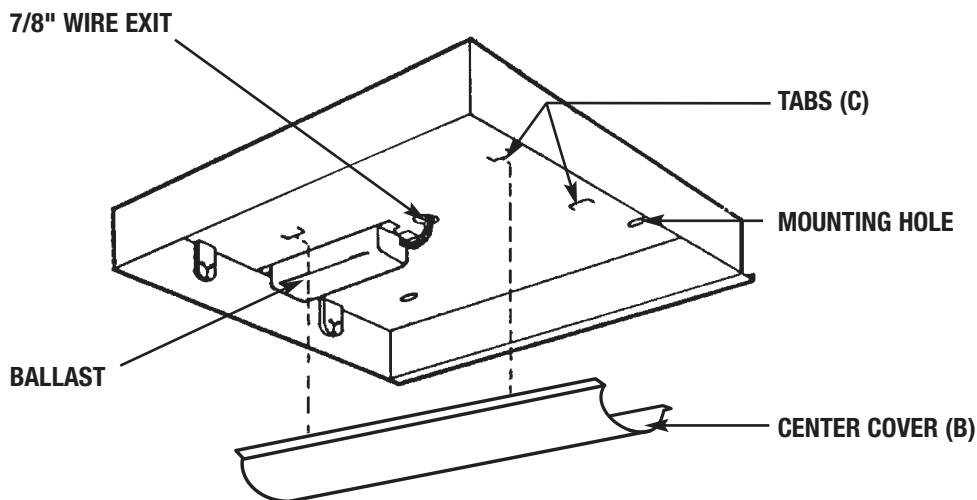


FIGURE 1

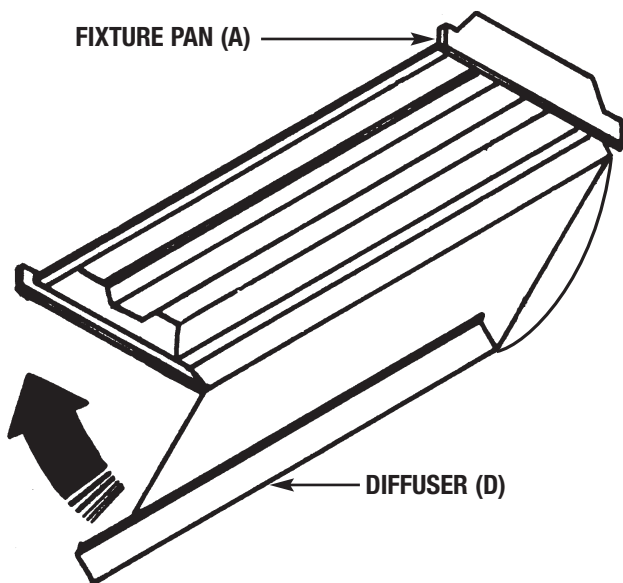


FIGURE 2



sea gull lighting®

Installation And Safety Instruction

HC-1297

092807

Line art shown may not exactly match the fixture enclosed. However, the installation instructions do apply to this fixture.

Fill In Item Number On Carton And
File This Sheet For Fixture Reference. ITEM# _____

IF SUPPLY WIRES ARE LOCATED WITHIN 3" OF BALLAST, USE WIRE RATED FOR AT LEAST 90°C

STEP 1:

Determine exact location on ceiling for fixture placement.

STEP 2:

Feed the black and white ballast wires through the 7/8" wire exit hole of the fixture pan (A).

STEP 3:

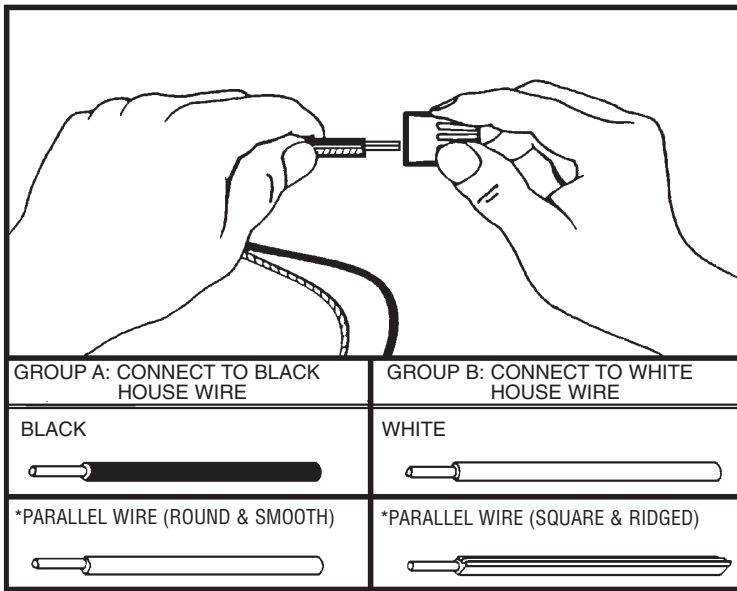
Mount fixture to ceiling. When mounting to drywall use molly bolts. When mounting to ceiling joists use 1 1/4" screws.

STEP 4:

WIRING:

If applicable, insert supply wires into supplied ballast quick connect. Proceed to step 5.

Take note of the color of the wire(s) on your fixture. Identify which group your fixture wire(s) falls into and connect the wires according to the directions below:



*NOTE: When parallel wire is used, the tracer wire is square shaped or ridged, and the less tracer wire is round in shape or smooth. (Seen best when viewed from wire end.) To separate wires, grasp the ends of each wire and pull apart.

- B. Take your fixture wire(s) from group A and place evenly against the black wire from the outlet box. **DO NOT** twist wires together before using wire connectors.
- C. Fit a wire connector (not supplied) over the wires and thread the connector clockwise until you feel a firm resistance.
- D. Gently try to remove the wires from the connector. If you can remove the wires, carefully re-do steps B and C, as above and check again for a firm connection.
- E. Connect the fixture wire from group B to the white wire from the outlet box in the same manner.

STEP 5:

GROUNDING INSTRUCTIONS: The green grounding screw is to be inserted into the hole with two raised dimples provided on the fixture pan. Wrap the ground wire from the fixture (if supplied) and the ground wire from the outlet box (bare metal or green insulated wire) around the green grounding screw on the fixture pan. If uninsulated wire is on the chassis, connect the ground wire from the fixture (if supplied) and the outlet box to it using a small wire connector (not supplied).

NEVER CONNECT GROUND WIRE TO BLACK OR WHITE POWER SUPPLY WIRES.

FINAL ASSEMBLY

Make sure no bare wires can be seen outside wire connectors.

STEP 1:

Install center cover (B) over fixture by squeezing center cover (B) together and insert under tabs (C).

STEP 2:

Install lamps.

STEP 3:

Secure diffuser (D) by placing one edge of diffuser (D) over one lip of fixture pan (A) so clips on diffuser lock to fixture pan (A). Repeat with other side of diffuser (D).

NOTE: IN ORDER FOR THIS LIGHTING FIXTURE TO OPERATE PROPERLY, THE BUILDING'S ELECTRICAL SYSTEM MUST BE GROUNDED. IF YOU ARE UNCLEAR AS HOW TO PROCEED, CONSULT A QUALIFIED ELECTRICIAN.

CLEANING

To clean, wipe fixture body with a soft cloth. Clean glass with a mild soap. Do not use abrasive materials such as scouring pads or powders, steel wool, or abrasive paper.

ORDERING PARTS

Keep this sheet for future reference, and in case you need to order replacement parts. Parts for this fixture can be ordered from place of purchase. Be sure to use exact wording from illustration when ordering parts.