

Please go to [www. quozel. com](http://www. quozel. com) for product cleaning tips. Go to the **Care + Maintenance** selection.

**Tools Required:** Flathead screwdriver, Phillips screwdriver, pliers, wire cutters, wire strippers, electrical tape, safety glasses.

**Light Source:** (2) A19 Medium Base Bulbs 100W Maximum.

**Estimated Assembly Time:** 30-45 minutes

**Preparation:** Identify and inspect all parts before beginning installation. Check package content list and diagrams below to be sure all parts are present. If any parts are missing or damaged, do not attempt to assemble, install, or operate the fixture. Contact customer service for replacement parts.

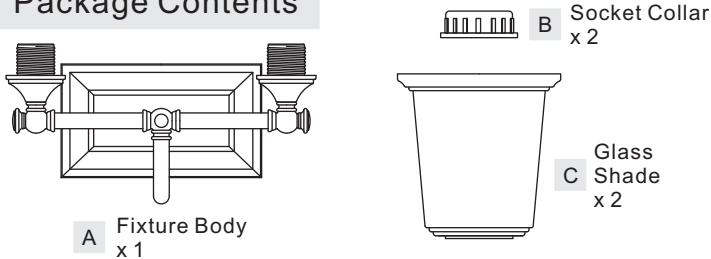
### ⚠ Warnings and Cautions

Turn off electricity at circuit breaker or main fuse box before installation. Consult a licensed electrician if in doubt.

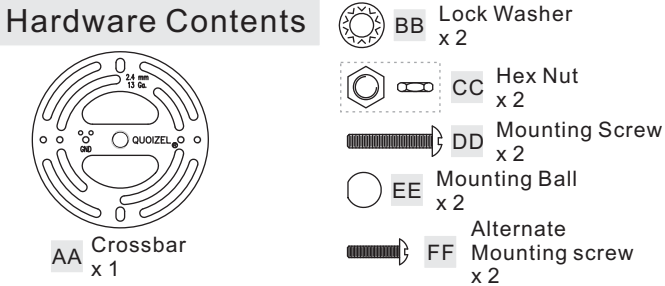
These instructions are provided for your safety. It is very important you read them completely before installing the fixture. We strongly recommend that a licensed, professional electrician perform the installation.

Disconnect fixture from power source before replacing bulbs. Make sure bulbs are given sufficient time to cool before removal.

### Package Contents



### Hardware Contents



### STEP 1 – Attach Mounting Screws, Lock Washers and Hex Nuts to Crossbar

A. Line up a set of holes on the Crossbar (AA) and Holes on the Backplate of Fixture Body (A). Thread Mounting Screws (DD) or Alternate Short Mounting Screws (FF) into the holes on the Crossbar (AA). Pass Lock Washers (BB) and thread Hex Nuts (CC) onto the Mounting Screws (DD) or Alternate Short Mounting Screws (FF). Hand tighten until snug.

Note: Use the Alternate Shorter Mounting Screw (FF) if your installation requires a shorter mounting screw.

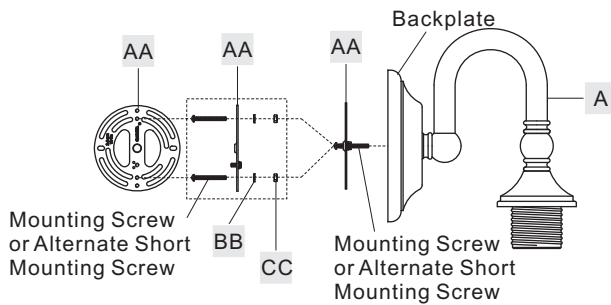


Figure 1

### STEP 2 – Installing the Crossbar Assembly

A. Pass the supply wires through the Crossbar (AA). Attach the Crossbar (AA) to the Outlet Box with the head of the Green Ground Screw facing you. Secure the Crossbar Assembly (AA) with Outlet Box Screws (not included). Tighten until snug.

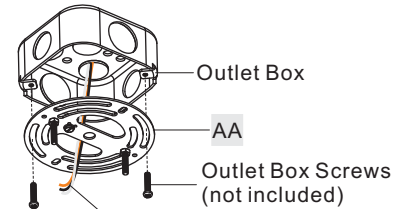


Figure 2

### STEP 3 – Test Fit the Backplate to the Crossbar Assembly

A. Place the backplate and Fixture Body (A) onto the Mounting Screws (DD) or Alternate Short Mounting Screws (FF) and secure with Mounting Balls (EE). Note: The backplate and Fixture Body (A) should be snug against the wall and held tight with the Mounting Balls (EE). If it is not, adjust the length of the Mounting Screws (DD) or Alternate Short Mounting Screws (FF) on the Crossbar (AA) until the correct length is achieved. Once the backplate and Fixture Body (A) is secure, remove the Mounting Balls (EE) and Fixture Body (A) and proceed to Step 4.

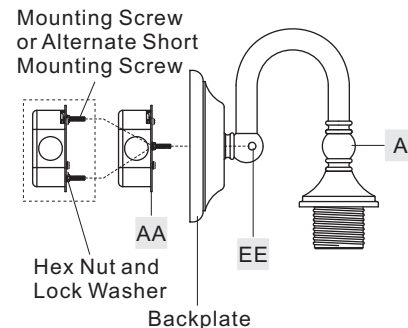


Figure 3

Thank you for purchasing a Quoizel product.  
Need assistance with parts or assembly? Call Quoizel customer service at 1-800-645-3184  
or visit us on-line at [www. quozel. com](http://www. quozel. com)

#### STEP 4 - Wire Connections

A. Use standard wire connectors (not included) to make all wire connections. Twist connectors until wires are tightly joined together. Wrap each connection with approved electrical tape and carefully stuff all the connected wires into the Outlet Box.

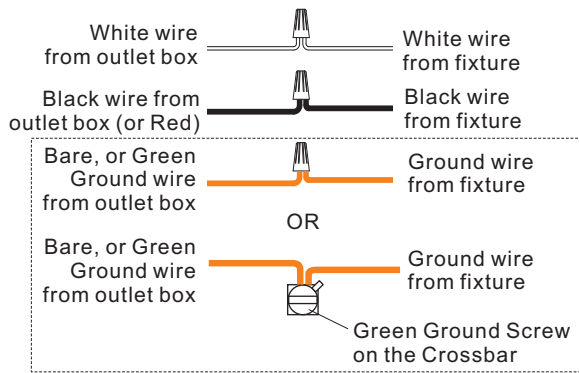


Figure 4

#### STEP 5 - Install the Fixture Body

A. Position the backplate and Fixture Body (A) onto the Mounting Screws (DD) or Alternate Short Mounting Screws (FF). Secure the backplate and Fixture Body (A) by using the Mounting Balls (EE) and hand tighten the Mounting Balls (EE) until snug.

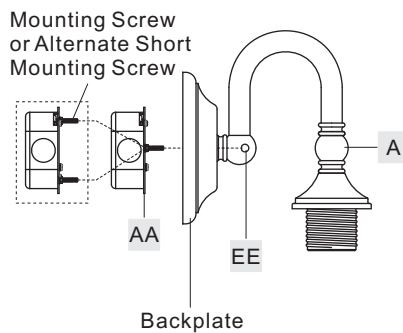


Figure 5

#### STEP 6 - Install Shades and Bulbs

- A. Place the Glass Shade (C) over the socket and secure with the Socket Collar (B). Hand tighten until snug.
- B. Insert the bulb onto socket and screw snugly into place.

Your fixture is now assembled and ready to use. Enjoy!

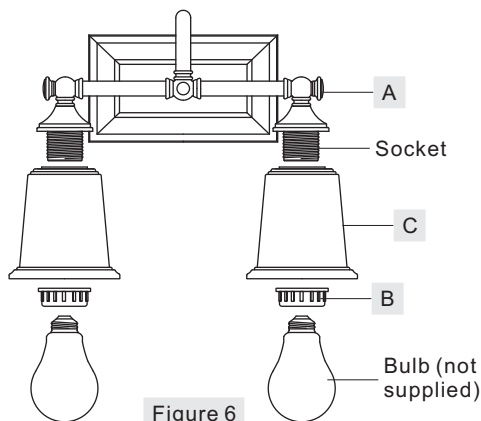
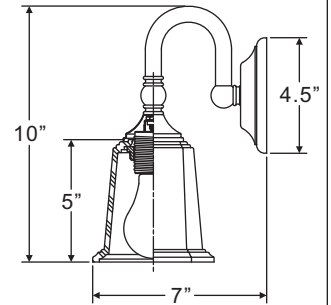
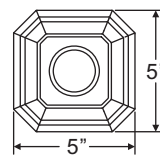
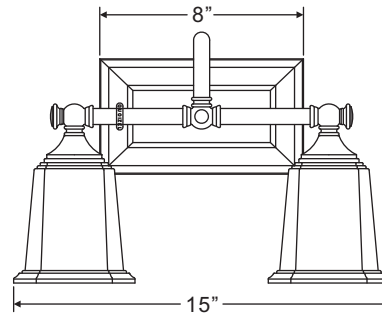
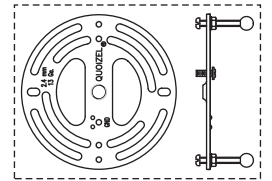


Figure 6

NL8602C

FINISH: POLISHED CHROME



NOTE: ALL DIMENSIONS ARE ROUNDED UP TO THE NEAREST 1/4"

Thank you for purchasing a Quoizel product.

Need assistance with parts or assembly? Call Quoizel customer service at 1-800-645-3184 or visit us on-line at [www.quoizel.com](http://www.quoizel.com)