

Please go to www.quoizel.com for product cleaning tips. Go to the **Care + Maintenance** selection.

Tools Required: Flathead screwdriver, Phillips screwdriver, pliers, wire cutters, wire strippers, electrical tape, safety glasses.

Light Source: (1) A19 Medium Base Bulb 100W Maximum, bulb not included.

Fixture Hanging Height: Minimum Hanging Height is 16", Maximum Hanging Height is 102".

Estimated Assembly Time: 30-45 minutes

Preparation: Identify and inspect all parts before beginning installation. Check package content list and diagrams below to be sure all parts are present. If any parts are missing or damaged, do not attempt to assemble, install, or operate the fixture. Missing Parts? Contact your original place of purchase.

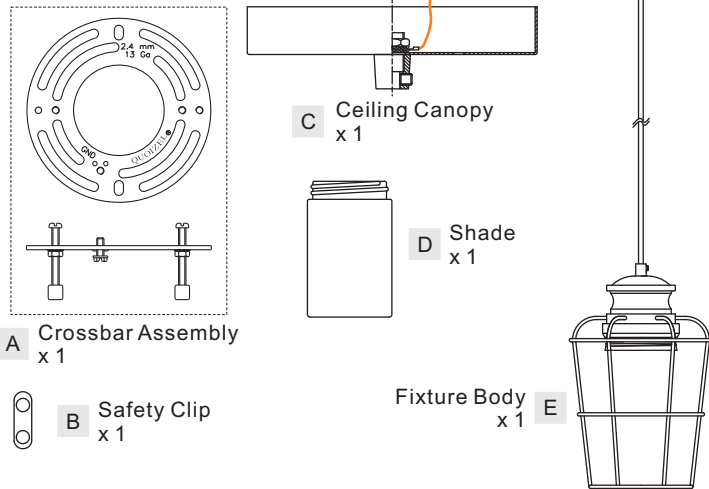
⚠ Warnings and Cautions

Turn off electricity at circuit breaker or main fuse box before installation. Consult a licensed electrician if in doubt.

These instructions are provided for your safety. It is very important you read them completely before installing the fixture. We strongly recommend that a licensed, professional electrician perform the installation.

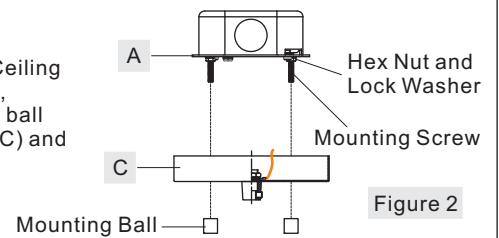
Disconnect fixture from power source before replacing bulbs. Make sure bulbs are given sufficient time to cool before removal.

Package Contents



(Step 2 Continued)

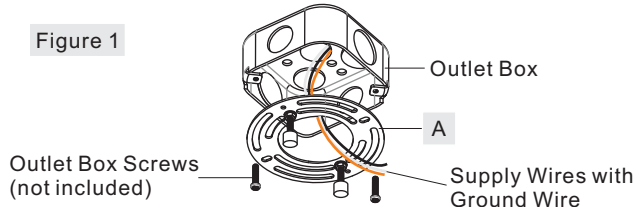
achieved. Once the Ceiling Canopy (C) is secure, remove the mounting ball and Ceiling Canopy (C) and proceed to Step 3.



Please measure the height you want to hang the pendant prior to hanging so you know what length to cut the wire. You can add 6" to that length to help adjust the shades up or down once it's hung. Please note, all the extra wire will not fit inside the small canopy and junction box, the wire needs to be cut at the desired length to fit inside the canopy and junction box to then help adjust to the exact height. **IMPORTANT:** Install the cord into the ceiling canopy before cutting it to length.

STEP 1 - Installing the Crossbar Assembly

A. Pass the supply wires from outlet box through the Crossbar Assembly (A). Attach the Crossbar Assembly (A) to the Outlet Box with the head of the Green Ground Screw facing you. Secure the Crossbar Assembly (A) with Outlet Box Screws (not included). Tighten until snug.

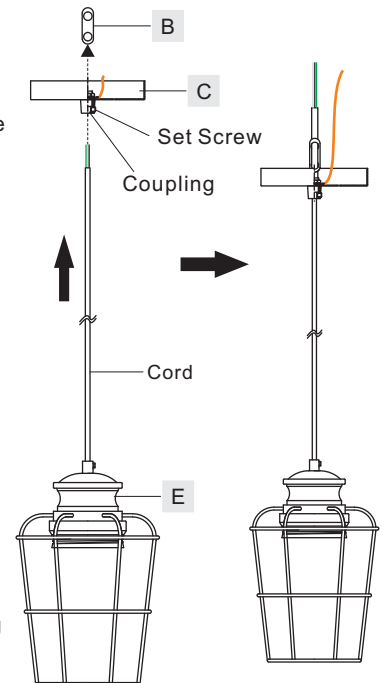


STEP 2 - Test Fitting Ceiling Canopy to Crossbar Assembly

A. Remove mounting balls from the Crossbar Assembly (A). Fit the Ceiling Canopy (C) to the Crossbar Assembly (A) and secure with mounting balls. Note: The Ceiling Canopy (C) should be snug against the ceiling and the mounting balls. If not, adjust the length of the nipple on the Crossbar Assembly (A) by unscrewing the preassembled hex nut and lock washer and then screwing the mounting screws in or out of the crossbar until the correct length is

STEP 3 - Install Fixture Body to Ceiling Canopy

- Loosen the set screw located on the coupling that are mounted to the underside of the Ceiling Canopy (C). Do not remove the set screw completely.
- Thread pendant cord through the coupling mounted to the underside of the Ceiling Canopy (C). Adjust cord to the desired length then tighten set screw to hold pendant length in place.
- Install the Safety Clip (B) onto the pendant cord by threading the cord through one hole then back through the second. Slide the Safety Clip (B) to approximate 2" from canopy.
- After the ceiling canopy is installed to the junction box, a final adjustment can be made to get the pendant to hang at the desired height by loosening the set screw on the coupling slightly then re-tighten when the pendant is adjusted to the desired height.



STEP 4 - Wire Connections

- Wrap bare or green ground wire around green ground screw on the crossbar, no less than 2 inches from the end of the wire. Tighten the green ground screw.
- Use standard wire connectors (not included) to make all wire connections. Twist connectors until wires are tightly joined together. Wrap each connection with approved electrical tape and carefully stuff all the connected wires into the Outlet Box.
- If the electrical wire is going to be cut shorter than provided, strip back the clear wire covering the 3 fixture wires as far as you need to. This will expose each fixture wire individually. Strip each end of 3 fixture wires.

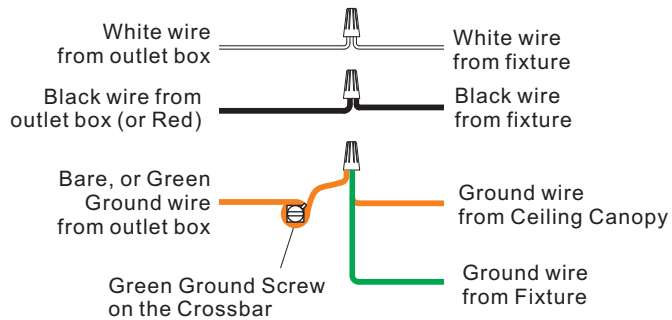


Figure 4

STEP 5 - Install the Ceiling Canopy

- Carefully tuck all wires into the outlet box and position the Ceiling Canopy (C) over the outlet box. Align the holes in the Ceiling Canopy (C) with the mounting screws, then attach the Ceiling Canopy (C) using the previously removed mounting balls. Hand tighten until snug.

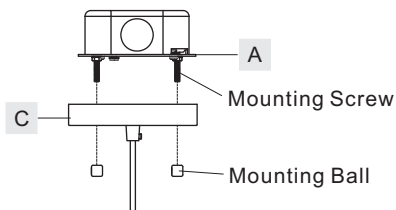


Figure 5

STEP 6 - Install Bulb and Shade

- Insert the bulb onto the socket and screw snugly into place.
- Thread the Shade (D) onto the glass holder and hand tighten until snug.

Your fixture is now assembled and ready to use. Enjoy!

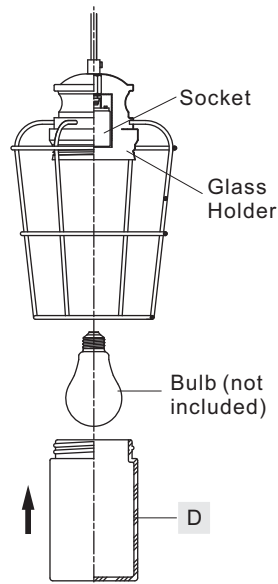
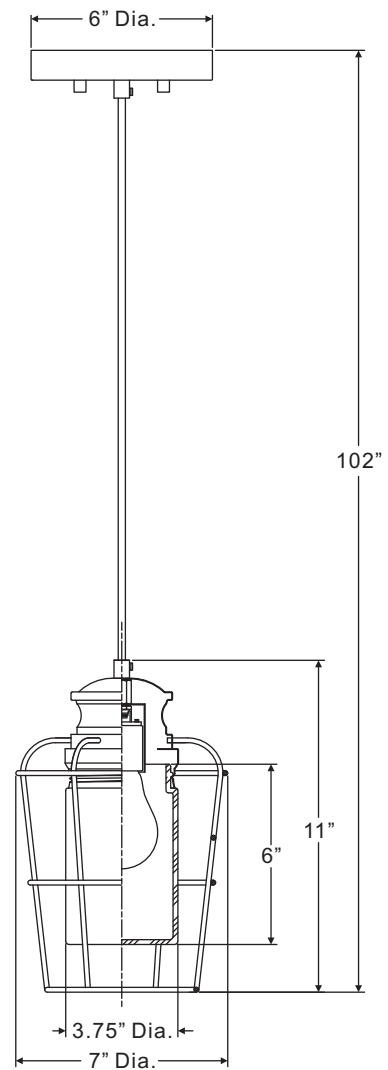
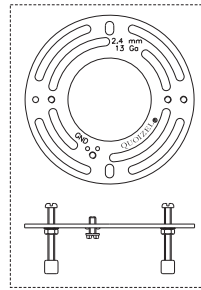


Figure 6

OLN1507EK

FINISH: EARTH BLACK



NOTE: ALL DIMENSIONS ARE ROUNDED UP TO THE NEAREST 1/4"