

Please go to www.quoise.com for product cleaning tips. Go to the **Care + Maintenance** selection.

Tools Required: Flathead screwdriver, Phillips screwdriver, pliers, wire cutters, wire strippers, electrical tape, safety glasses.

Light Source: (1) A19 Medium Base Bulb 100W Maximum.

Estimated Assembly Time: 20-30 minutes

Preparation: Identify and inspect all parts before beginning installation. Check package content list and diagrams below to be sure all parts are present. If any parts are missing or damaged, do not attempt to assemble, install, or operate the fixture. Contact customer service for replacement parts.

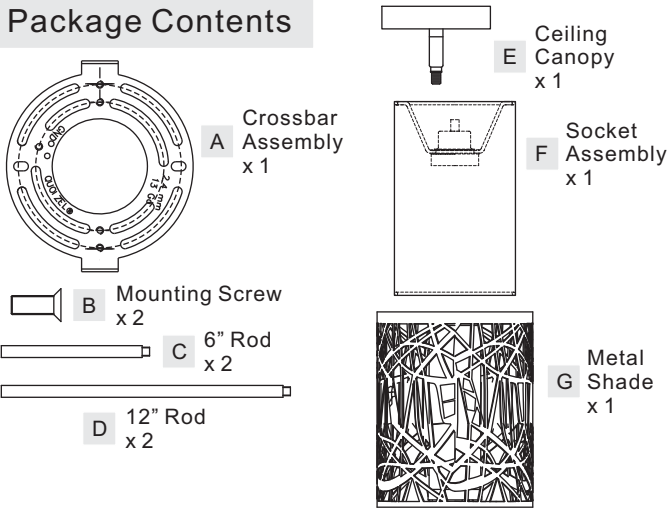
⚠ Warnings and Cautions

Turn off electricity at circuit breaker or main fuse box before installation. Consult a licensed electrician if in doubt.

These instructions are provided for your safety. It is very important you read them completely before installing the fixture. We strongly recommend that a licensed, professional electrician perform the installation.

Disconnect fixture from power source before replacing bulbs. Make sure bulbs are given sufficient time to cool before removal.

Package Contents



STEP 3 – Install Crossbar Assembly

A. Pass the supply wires with ground wire through the Crossbar Assembly (A). Attach the Crossbar Assembly (A) to Outlet Box with the head of Green Ground Screw facing you. Secure it with Outlet Box Screws (not included). Tighten until snug.

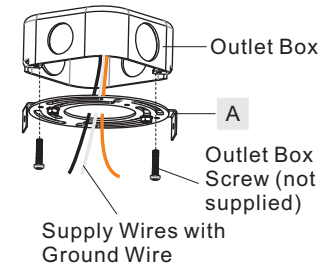


Figure 3

STEP 4 – Make Wire Connections

A. Use standard wire connectors (not included) to make all wire connections. Twist connectors until wires are tightly joined together. Wrap each connection with approved electrical tape and carefully stuff all the connected wires into the Outlet Box.

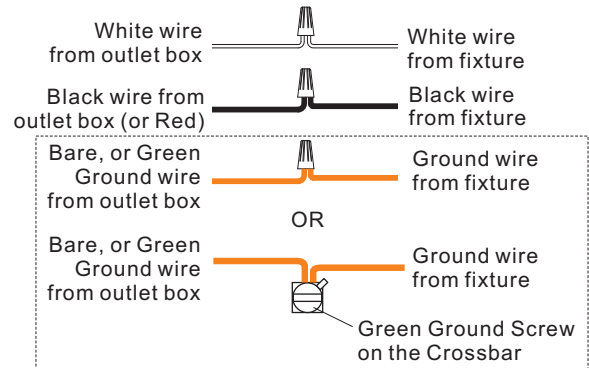


Figure 4

STEP 1 - Install Metal Shade

A. Place the Metal Shade (G) onto the fabric shade of the Socket Assembly (F) as shown.

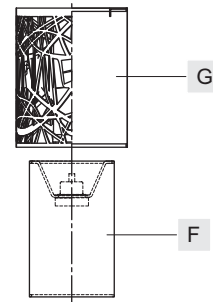


Figure 1

STEP 2 - Install the Ceiling Canopy, Rods and the Socket Assembly together

A. Determine the Rods (C/D) to be assembled to the Socket Assembly (F) according to your hanging height.
 B. Pass the supply wires and ground wire through the chosen rods (C/D) and the Ceiling Canopy (E). Thread the Socket Assembly (F), the chosen Rods (C/D) and the Ceiling Canopy (E) together. Hand tighten until snug.

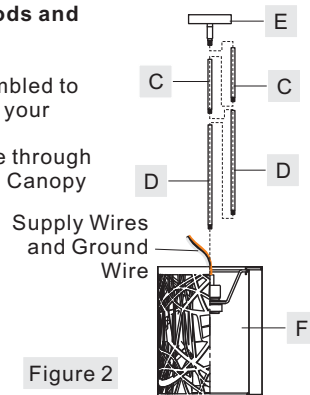


Figure 2

STEP 5 – Install the Fixture Body

A. Fit excess cord and electrical wires in the Ceiling Canopy (E) properly. Line up the holes on the side of the Ceiling Canopy (E) to the mounting holes on the Crossbar (A). Secure them with Mounting Screws (B). Tighten until snug.

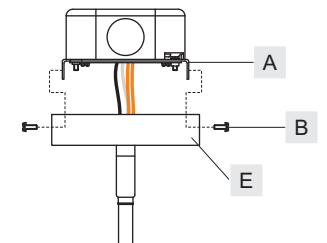


Figure 5

Thank you for purchasing a Quoizel product.
Need assistance with parts or assembly? Call Quoizel customer service at 1-800-645-3184
or visit us on-line at www.quoise.com

STEP 6 - Install the Bulb

A. Insert the bulb into socket and screw snugly into place.

Your fixture is now assembled and ready to use. Enjoy!

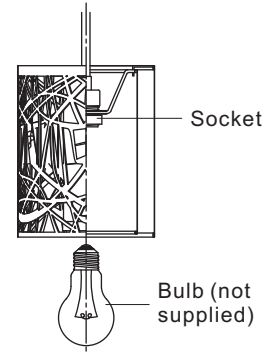
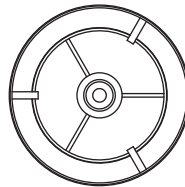
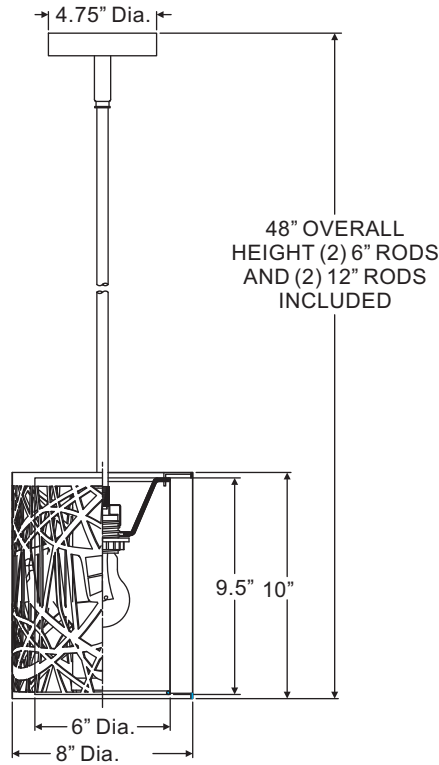
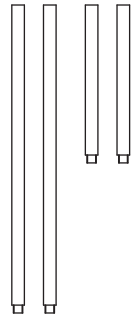


Figure 6

PCAE1508C
FINISH: POLISHED CHROME

NOTE: ALL DIMENSIONS ARE ROUNDED UP TO THE NEAREST 1/4"



Thank you for purchasing a Quoizel product.
Need assistance with parts or assembly? Call Quoizel customer service at 1-800-645-3184
or visit us on-line at www.quoise.com