

LACEY 7232

DESIGNER COLLECTION

H | S

PVC SYSTEMS INCLUDE:

- 6 Fully directional adjustable PVC jets
- Anti-vortex safety suction
- Color matched system trim
- HydroOzone ozone sanitation system
- Rigid PVC piping
- Self draining pump and system
- Soft Touch electronic on/off control with 30-minute integral times
- 2.25 HP single speed pump
- Cable waste and overflow
- Requires 120 V 20 Amp Dedicated GFCI



Classic style and deep bathing put the Lacey in a class of its own. Available in most common sizes, the Lacey affords clean lines and elegance in almost any design category. Visit <http://www.hydrosystem.com> for more details on our options and accessories.



OPTIONS

- *Colonial Grab Bars
- *Integral waste and overflow (linear)
- *Chromatherapy-LED Lighting System
- Chromatherapy-LED Mini Spotlights
- Microban Antibacterial Protection
- Extra high density fiberglass
- Custom jet and pump locations
- Armrests available
- Flange molded
- Skirt
- Plated Metallic finish
- Additional directional Jets
- Swirling, Rotating, or Jumbo Jets
- Micro Therapy Jet
- Integral waste and overflow
- 1.5 HP Variable Speed Pump (digital temperature display optional)
- Electronic low water protection
- In-line heater
- Mood Light
- Back Masseur
- Neck Masseur Pillow
- Hydro Fragrance
- Hydro Fusion
- Hydro Coat
- Hydro Express quick ship

HYDRO SYSTEMS
Family Owned And Operated Since 1978

29132 Avenue Paine, Valencia, CA, 91355
661.775.0686 | hydrosystem.com

* Indicates options that are shown (listed in order from top to bottom/ left to right)

LACEY 7232

DESIGNER COLLECTION

H | S

As SHOWN:

Whirlpool option with standard jet location

FEATURES SHOWN:

- Jets
- Overflow location

ALSO AVAILABLE:

- Soaking tub only
- Whirlpool
- Thermal Air
 - Approx 68 injections
- Combo



WATER CAPACITY:

85 Gallons

WEIGHT:

90 - 130 Pounds

MODEL 7232 DIMENSIONS:

- (L)ength- 72"
- (W)idth- 32"
- (H)eight Finish- 20"

DROP-IN INSTALLATION DIMENSIONS:

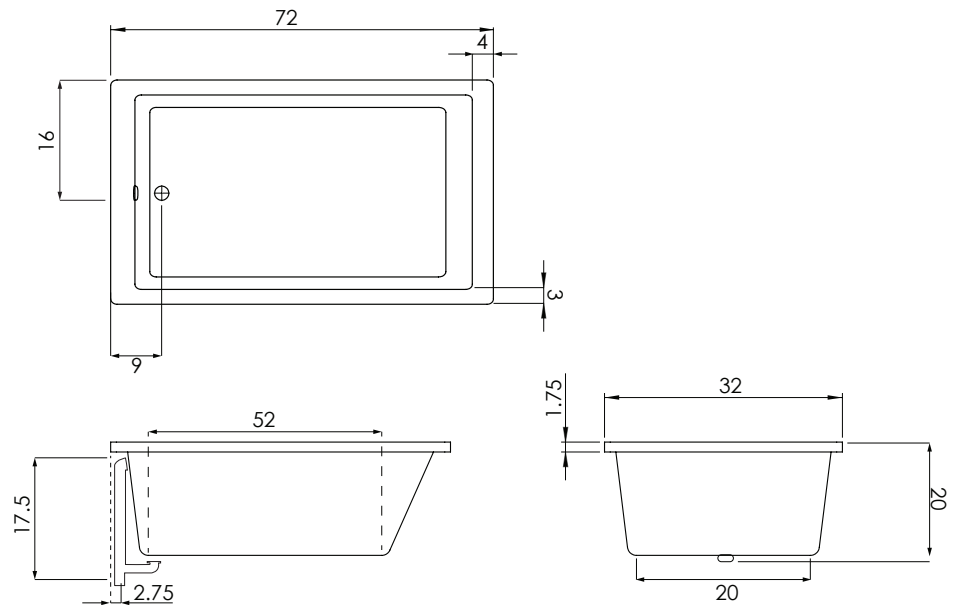
- (L)ength- 70"
- (W)idth- 30"
- (H)eight- 19.25"

3-WALL INSTALLATION DIMENSIONS:

- (L)ength- 71.5"
- (W)idth- 31.75"
- Ledger-19.75"

ACRYLIC TUB

- Acrylic models finished in 1/8" thick layer of deep lustrous acrylic
- Extra thick reinforced fiberglass
- Pre-wired pump on pump platform (standard pump location only)
- Integral E-Z level platform facilitates installation
- Tub must be set in a mortar base
- When adding linear option, p-trap is located directly below waste



CODES AND COMPLIANCES

Massachusetts code File no: P1-0614-491



HYDRO SYSTEMS
Family Owned And Operated Since 1978

29132 Avenue Paine, Valencia, CA, 91355
661.775.0686 | hydrosystem.com