

Stamina 48-I 51 x 36 Acrylic Alcove One-Piece Shower

Model number:

101139-000-001-100

Dimensions: 51" x 35.75" x 85.25"

Installation: Alcove

Material: Acrylic



Standard Features:

- Spacious shower with improved ergonomics
- 1 or 3-piece shower with roof cap
- Integrated shelves, specify Chrome or Brushed Nickel guard rail 56
- 12-in. acrylic grab bar 28 and soap dishes included
- Customize the shower: specify right or left seat
- Optional roof halogen light

Product characteristics:

- Made in North America
- One-Piece Unit
- Integrated Shelving

Standard Colors:



White (001)

Certifications

MAAX products adhere to one or more of the following certifications:



Recommended products (Visit our website for a complete list of our recommended products)

No	Description
<input type="checkbox"/> 138270	Manhattan 43-45 x 68 in. 6 mm Pivot Shower Door for Alcove Installation
<input type="checkbox"/> 134563	Kameleon 43-47 x 71 in. 6 mm Sliding Shower Door for Alcove Installation
<input type="checkbox"/> 135277	Decor Plus 42-44 x 69 in. Sliding Shower Door for Alcove Installation

MAAX

Stamina 48-I 51 x 36 Acrylic Alcove One-Piece Shower

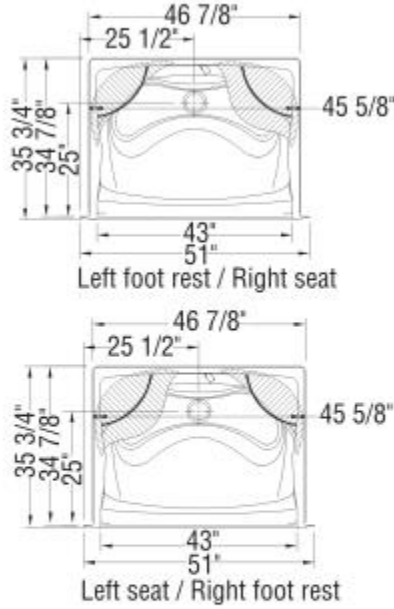
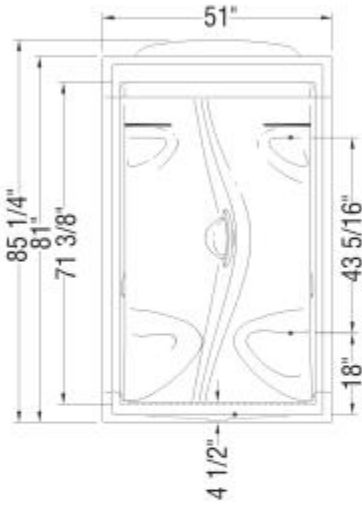
Model number:

101139-000-001-100

Dimensions: 51" x 35.75" x 85.25"

Installation: Alcove

Material: Acrylic



Dimensions

51 x 35 3/4 x 85 1/4 In.
(1295 x 908 x 2165 mm)

Weight

160 lbs - 72 1/2 kg

Shape

Rectangular

Pieces

1

Drain location:

Left seat, center drain

Right seat, center drain

Flat surface for the installation of the valve 8-in. diameter

All dimensions are approximate. Structure measurements must be verified against the unit to ensure proper fit.

Project: _____

Contractor: _____

Representative: _____

Date: _____

Tel: _____

Notes: _____

MAAX