

# Stamina 48-II 51 x 36 Acrylic Alcove One-Piece Shower

**Model number:**

101140-000-001-100

**Dimensions:** 51" x 35.75" x 76.375"

**Installation:** Alcove

**Material:** Acrylic



## Standard Features:

- Spacious shower with improved ergonomics
- 1 or 2-piece shower without roof cap
- 12 in. acrylic grab bar and soap dish included
- Customize the shower: specify right or left seat
- Integrated shelves, specify Chrome or Brushed Nickel guard rail
- For White shower, grab bar is color-coordinated

## Product characteristics:

- Made in North America
- One-Piece Unit
- Integrated Shelving

## Standard Colors:



White (001)

## Certifications

MAAX products adhere to one or more of the following certifications:



## Recommended products (Visit our website for a complete list of our recommended products)

No	Description
<input type="checkbox"/> 136453	Kleara 2-panel 42 ½-45 ½ x 69 in. 6mm Pivot Shower Door for Alcove Installation
<input type="checkbox"/> 135277	Decor Plus 42-44 x 69 in. Sliding Shower Door for Alcove Installation
<input type="checkbox"/> 134571	Kameleon 43-47 x 71 in. 8 mm Sliding Shower Door for Alcove Installation

# MAAX

# Stamina 48-II 51 x 36 Acrylic Alcove One-Piece Shower

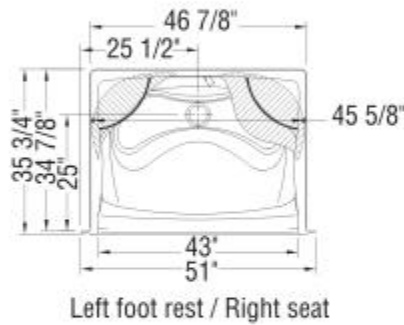
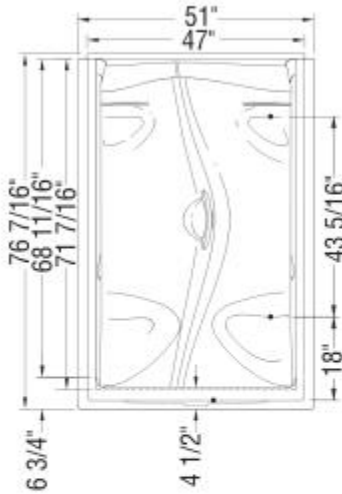
**Model number:**

101140-000-001-100

**Dimensions:** 51" x 35.75" x 76.375"

**Installation:** Alcove

**Material:** Acrylic



## Dimensions

51 x 35 3/4 x 76 1/2 In.  
(1295 x 908 x 1940 mm)

## Weight

151 lbs - 68 1/2 kg

## Shape

Rectangular

## Pieces

1

## Drain location:

Left seat, center drain

Right seat, center drain

Flat surface for the installation of the valve 8-in. diameter

All dimensions are approximate. Structure measurements must be verified against the unit to ensure proper fit.

Project: \_\_\_\_\_

Contractor: \_\_\_\_\_

Representative: \_\_\_\_\_

Date: \_\_\_\_\_

Tel: \_\_\_\_\_

Notes: \_\_\_\_\_

# MAAX