

# Stamina 48-II 51 x 36 Acrylic Alcove Two-Piece Shower

**Model number:**

101140-000-001-106

**Dimensions:** 51" x 35.75" x 76.375"

**Installation:** Alcove

**Material:** Acrylic



## Standard Features:

- 2-piece shower without roof cap
- Seat & footrest
- Integrated soap dish and towel bar
- Includes 12-in. acrylic grab bar 28
- For White shower, grab bar is color-coordinated
- Integrated shelves with Chrome or Brushed Nickel guardrail 56

## Product characteristics:

- Made in North America
- Multi-Piece Unit
- Integrated Shelving

## Standard Colors:



White (001)

## Certifications

MAAX products adhere to one or more of the following certifications:



## Recommended products (Visit our website for a complete list of our recommended products)

No	Description
<input type="checkbox"/> 136453	Kleara 2-panel 42 ½-45 ½ x 69 in. 6mm Pivot Shower Door for Alcove Installation
<input type="checkbox"/> 138296	Triple Plus 42 ½-44 ½ x 66 in Sliding Shower Door for Alcove Installation
<input type="checkbox"/> 135280	Decor Plus 42-44 x 66 in. Sliding Shower Door for Alcove Installation

# MAAX

# Stamina 48-II 51 x 36 Acrylic Alcove Two-Piece Shower

**Model number:**

101140-000-001-106

**Dimensions:** 51" x 35.75" x 76.375"

**Installation:** Alcove

**Material:** Acrylic

## Dimensions

51 x 35 3/4 x 76 1/2 In.  
(1295 x 908 x 1940 mm)

## Weight

151 lbs - 68 1/2 kg

## Shape

Rectangular

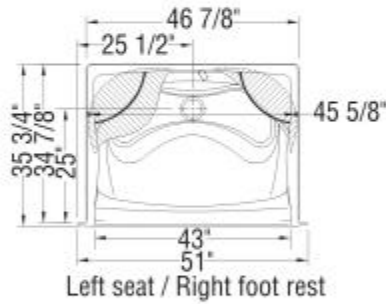
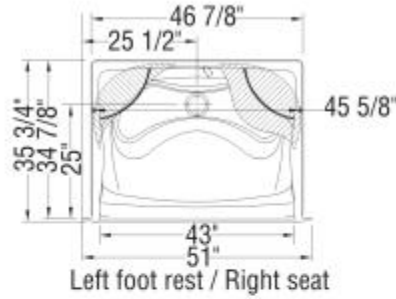
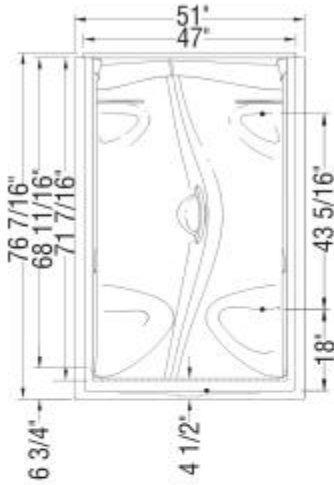
## Pieces

2

## Drain location:

Left seat, center drain

Right seat, center drain



Flat surface for the installation of the valve 8-in. diameter

All dimensions are approximate. Structure measurements must be verified against the unit to ensure proper fit.

Project: \_\_\_\_\_

Contractor: \_\_\_\_\_

Representative: \_\_\_\_\_

Date: \_\_\_\_\_

Tel: \_\_\_\_\_

Notes: \_\_\_\_\_

# MAAX