

# Stamina 60-I 60 x 36 Acrylic Alcove One-Piece Shower

**Model number:**

101141-000-001-102

**Dimensions:** 59.5" x 35.75" x 85.25"

**Installation:** Alcove

**Material:** Acrylic



## Standard Features:

- Spacious shower with improved ergonomics
- 1 or 3-piece shower with roof cap
- 12 in. acrylic grab bar 28 and soap dish included
- Customize the shower: specify R/L or 2 seats
- Integrated shelves, specify Chrome or Brushed Nickel guard rail 56

## Product characteristics:

- Made in North America
- One-Piece Unit
- Integrated Shelving

## Standard Colors:



White (001)

## Certifications

MAAX products adhere to one or more of the following certifications:



## Recommended products (Visit our website for a complete list of our recommended products)

No	Description
<input type="checkbox"/> 134564	Kameleon 51-55 x 71 in. 6 mm Sliding Shower Door for Alcove Installation
<input type="checkbox"/> 138313	Triple Plus 50 ½ 52 ½ x 66 in Sliding Shower Door for Alcove Installation
<input type="checkbox"/> 138274	Manhattan 51-53 x 68 in. 6 mm Pivot Shower Door for Alcove Installation

# MAAX

# Stamina 60-I 60 x 36 Acrylic Alcove One-Piece Shower

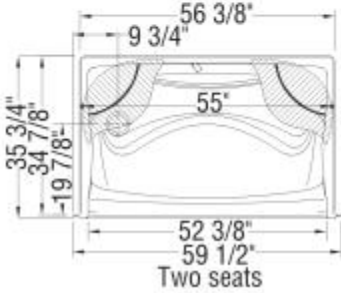
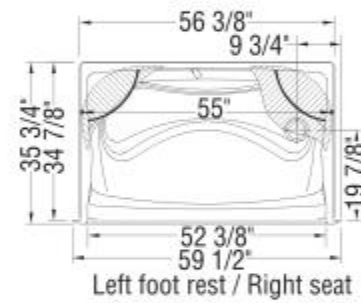
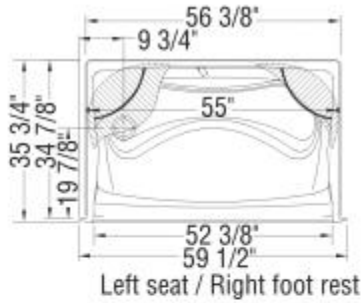
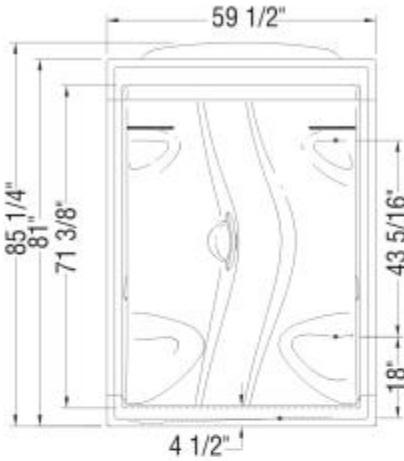
**Model number:**

101141-000-001-102

**Dimensions:** 59.5" x 35.75" x 85.25"

**Installation:** Alcove

**Material:** Acrylic



## Dimensions

59 1/2 x 35 3/4 x 85 1/4 In.  
(1511 x 908 x 2165 mm)

## Weight

167 lbs - 75 3/4 kg

## Shape

Rectangular

## Pieces

1

## Drain location:

Two seats, left drain

Two seats, right drain

Left seat, left drain

Right seat, right drain

Flat surface for the installation of the valve 8-in. diameter

All dimensions are approximate. Structure measurements must be verified against the unit to ensure proper fit.

Project:

Contractor:

Representative:

Date:

Tel:

Notes:

# MAAX