

# Equinox II 40 x 40 Acrylic Corner One-Piece Shower

**Model number:**

102500-000-001-000

**Dimensions:** 39.5" x 39.5" x 77.75"

**Installation:** Corner

**Material:** Acrylic



## Standard Features:

- 1-piece shower
- 3 built-in shelves
- Footrest
- Optional roof cap

## Product characteristics:

- Made in North America
- One-Piece Unit
- Integrated Shelving

## Standard Colors:



White (001)

## Certifications

MAAX products adhere to one or more of the following certifications:



## Recommended products (Visit our website for a complete list of our recommended products)

No	Description
<input type="checkbox"/> 137441	Radia Neo-angle 38 x 38 x 71 ½ in. 6mm Sliding Shower Door for Corner Installation
<input type="checkbox"/> 137901	Silhouette Neo-angle 38 x 38 x 70 in. Pivot Shower Door for Corner Installation

# MAAX

# Equinox II 40 x 40 Acrylic Corner One-Piece Shower

**Model number:**

102500-000-001-000

**Dimensions:** 39.5" x 39.5" x 77.75"

**Installation:** Corner

**Material:** Acrylic

## Dimensions

39 1/2 x 39 1/2 x 77 3/4 In.  
(1003 x 1003 x 1975 mm)

## Weight

110 lbs - 50 kg

## Shape

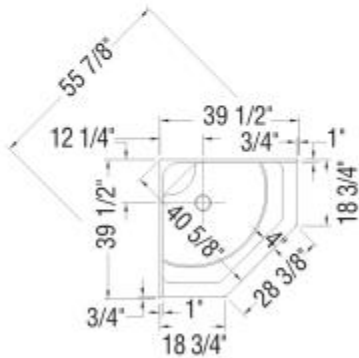
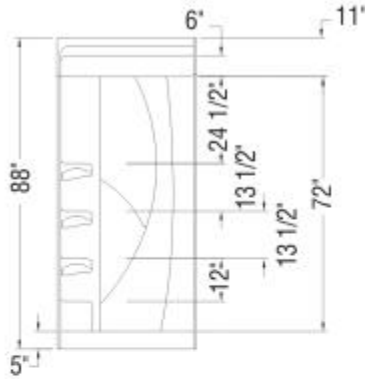
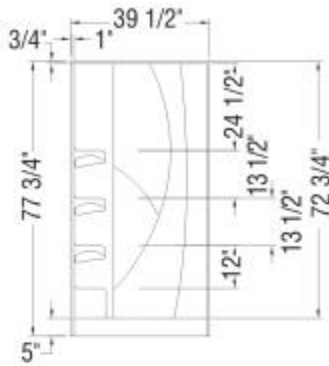
NeoAngle

## Pieces

1

## Drain location:

No seat, center drain



All dimensions are approximate. Structure measurements must be verified against the unit to ensure proper fit.

Project: \_\_\_\_\_

Contractor: \_\_\_\_\_

Representative: \_\_\_\_\_

Date: \_\_\_\_\_

Tel: \_\_\_\_\_

Notes: \_\_\_\_\_

# MAAX