

Brioso 6042 AcrylX Freestanding Bathtub

Model number:

103901-000-002-114

Dimensions: 60" x 42" x 23"

Installation: Freestanding

Material: AcrylX™ Applied Acrylic



Standard Features:

- 2-piece bathtub with transitional look and concealed seam
- Ample deck space for faucet installation
- No systems available
- Maximized bathing well with center drain
- Above-the-Floor Rough (AFR)
- MAAX innovative leveling legs for easy installation

Product characteristics:

- Made in North America
- 1 Tub - 2 Pieces
- Easy Installation

Standard Colors:



White (002)

Certifications

MAAX products adhere to one or more of the following certifications:



MAAX

Brioso 6042 AcrylX Freestanding Bathtub

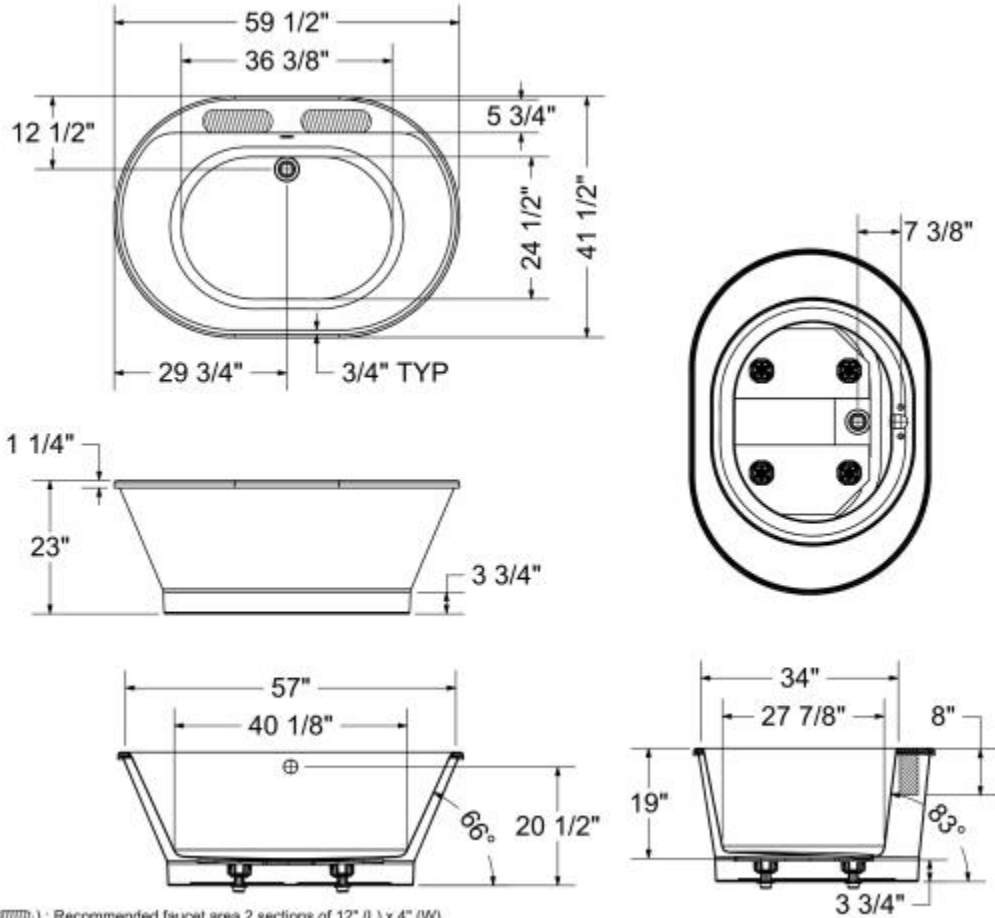
Model number:


103901-000-002-114

Dimensions: 60" x 42" x 23"

Installation: Freestanding

Material: AcrylX™ Applied Acrylic



 : Recommended faucet area 2 sections of 12" (L) x 4" (W).
Depth recommended for straight pipes 8".

All dimensions are approximate. Structure measurements must be verified against the unit to ensure proper fit.

Dimensions

60 x 42 x 23 In.
(1524 x 1067 x 584 mm)

Water Capacity

66 gallons - 250 liters

Weight

101 lbs - 45 3/4 kg

Bathing Well

57 In. x 34 In.
(1448 mm x 864 mm)

Deep Sump Height

18.625 In. - 473 mm

Deck Width

5 In. - 127 mm

Drain location:

Center

Project:

Contractor:

Representative:

Date:

Tel:

Notes:

MAAX