

Brioso 6636 AcrylX Freestanding Bathtub

Model number:

103903-000-002-113

Dimensions: 66" x 36" x 23"

Installation: Freestanding

Material: AcrylX™ Applied Acrylic



Standard Features:

- 2-piece bathtub with transitional look and concealed seam
- Ample deck space for faucet installation
- Maximized bathing well with center drain
- Above-the-Floor Rough (AFR)
- F² Drain compatible for fast & easy installation
- MAAX innovative leveling legs for easy installation

Product characteristics:

- Made in North America
- 1 Tub - 2 Pieces
- Easy Installation

Standard Colors:



White (002)

Certifications

MAAX products adhere to one or more of the following certifications:



MAAX

Brioso 6636 AcrylX Freestanding Bathtub

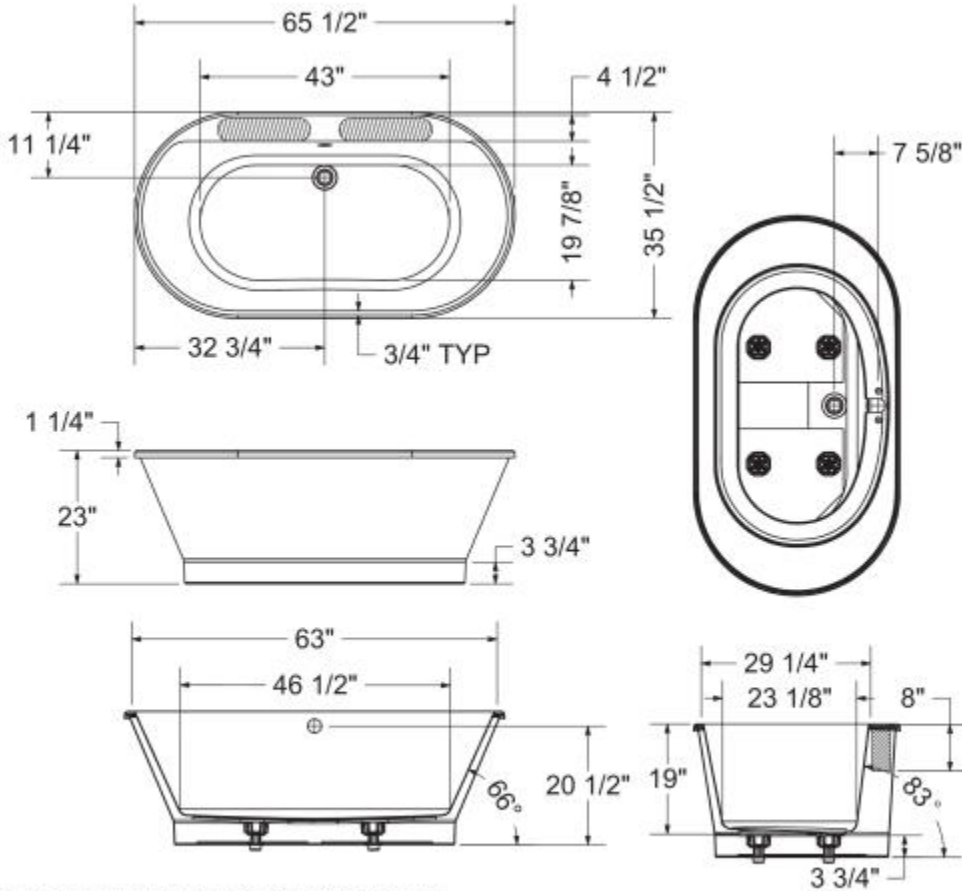
Model number:

103903-000-002-113

Dimensions: 66" x 36" x 23"

Installation: Freestanding

Material: AcrylX™ Applied Acrylic



(Hatched area): Recommended faucet area 2 sections of 16" (L) x 4" (W).
Depth recommended for straight pipes 8".

All dimensions are approximate. Structure measurements must be verified against the unit to ensure proper fit.

Dimensions

66 x 36 x 23 In.
(1676 x 914 x 584 mm)

Water Capacity

68 gallons - 259 liters

Weight

106 lbs - 48 kg

Bathing Well

63 In. x 28 In.
(1597 mm x 711 mm)

Deep Sump Height

18.625 In. - 473 mm

Deck Width

4.5 In. - 114 mm

Drain location:

Center

Project: _____

Contractor: _____

Representative: _____

Date: _____

Tel: _____

Notes: _____

MAAX