

Fontana 58 x 32 AcrylX Freestanding Bathtub

Model number:

106994-000-002-000

Dimensions: 58" x 32" x 23"

Installation: Freestanding

Material: AcrylX™ Applied Acrylic



Standard Features:

- Linear waste and overflow included and factory installed
- Faucet installation can be deck-mounted or floor-mounted
- Maximized bathing well with comfortable backrest
- Perfect for small footprint bathroom
- Above-the-Floor Rough (AFR) and F2 Drain compatible
- MAAX innovative leveling legs for easy installation

Product characteristics:

- Made in North America
- 1 Tub - 2 Pieces
- Maximized Bathing Well

Standard Colors:



White (002)

Certifications

MAAX products adhere to one or more of the following certifications:



MAAX

Fontana 58 x 32 AcrylX Freestanding Bathtub

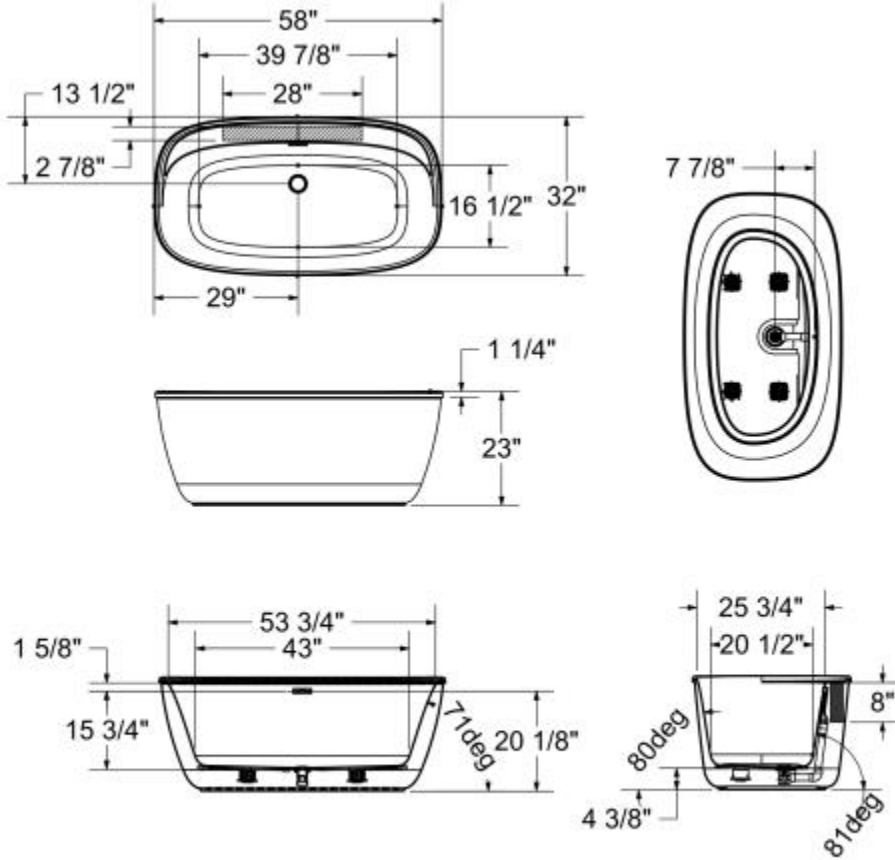
Model number:

106994-000-002-000

Dimensions: 58" x 32" x 23"

Installation: Freestanding

Material: AcrylX™ Applied Acrylic



() Recommended faucet area 1 section of 28" (L) x 2 7/8" (W).
Depth recommended for straight pipes 8".

All dimensions are approximate. Structure measurements must be verified against the unit to ensure proper fit.

Dimensions

58 x 32 x 23 In.
(1473 x 813 x 584 mm)

Water Capacity

61 gallons - 230 liters

Weight

120 lbs - 54 1/2 kg

Bathing Well

56 1/2 In. x 26 In.
(1435 mm x 660 mm)

Deep Sump Height

18.375 In. - 467 mm

Drain location:

Center

Project:

Contractor:

Representative:

Date:

Tel:

Notes:

MAAX