

Sonoma 58 x 32 AcrylX Freestanding Bathtub

Model number:

106996-000-002-000

Dimensions: 58" x 32" x 27"

Installation: Freestanding

Material: AcrylX™ Applied Acrylic



Standard Features:

- Linear waste and overflow included and factory installed
- Faucet installation can be deck-mounted or floor-mounted
- Maximized bathing well with comfortable backrest
- Perfect for small footprint bathroom
- Above-the-Floor Rough (AFR) and F2 Drain compatible
- MAAX innovative leveling legs for easy installation

Product characteristics:

- Made in North America
- 1 Tub - 2 Pieces
- Easy Installation

Standard Colors:



White (002)

Certifications

MAAX products adhere to one or more of the following certifications:



MAAX

Sonoma 58 x 32 AcrylX Freestanding Bathtub

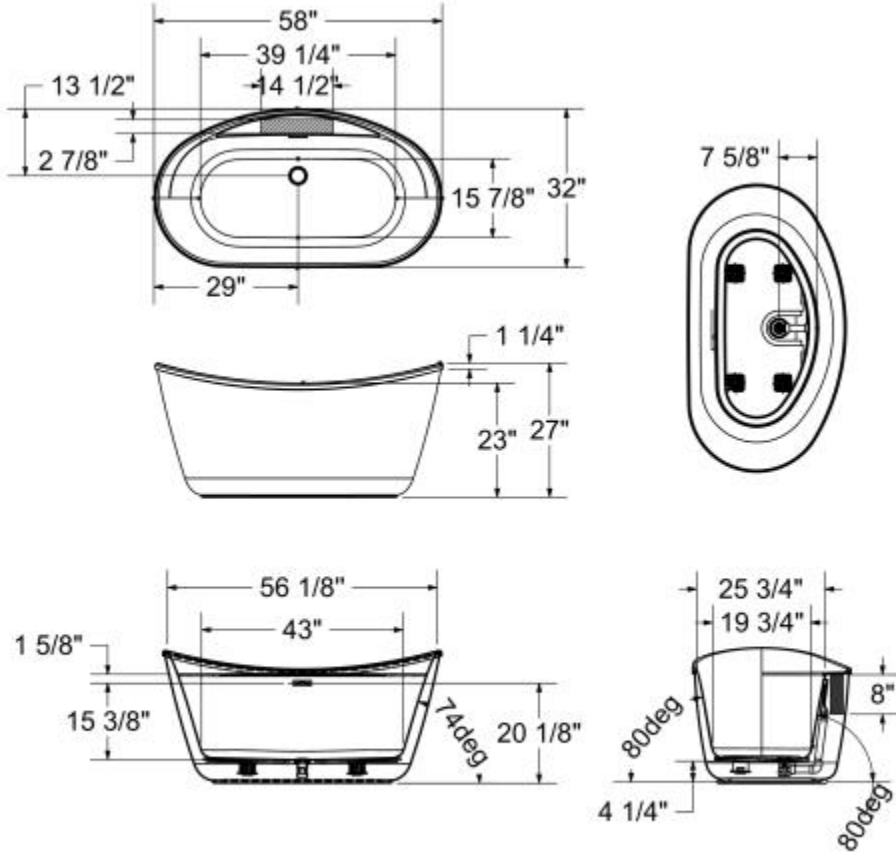
Model number:

106996-000-002-000

Dimensions: 58" x 32" x 27"

Installation: Freestanding

Material: AcrylX™ Applied Acrylic



Dimensions

58 x 32 x 27 In.
(1473 x 813 x 686 mm)

Water Capacity

58 gallons - 220 liters

Weight

120 lbs - 54 1/2 kg

Bathing Well


56 1/2 In. x 26 In.
(1435 mm x 660 mm)

Deep Sump Height

18.375 In. - 467 mm

Drain location:

Center

 Recommended faucet area 1 section of 14 1/2" (L) x 2 7/8" (W).
Depth recommended for straight pipes 8".

All dimensions are approximate. Structure measurements must be verified against the unit to ensure proper fit.

Project: _____

Contractor: _____

Representative: _____

Date: _____

Tel: _____

Notes: _____

MAAX