

B3Round 4832 Acrylic Configurable Shower Base

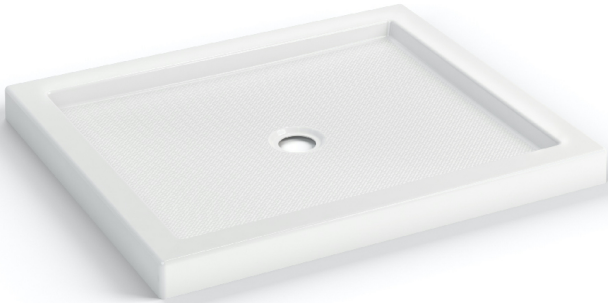
Model number:

410001-542-001-000

Dimensions: 47.875" x 31.875" x 4"

Installation:

Material: Acrylic



Standard Features:

- Acrylic rectangular base with round drain
- Smooth floor
- Center drain
- Certain configurations available with Stabili-T anti-slip bottom meeting ADA, ANSI or CSA standards
- Drain not included
- 3" threshold base

Product characteristics:

- Made in North America
- Utile Compatible
- Bestseller

Standard Colors:



White (001)

Certifications

MAAX products adhere to one or more of the following certifications:



Recommended products (Visit our website for a complete list of our recommended products)

No	Description
<input type="checkbox"/> 137421	Odyssey SC 45-47 ½ x 78in. 8mm Sliding Shower Door for Alcove Installation
<input type="checkbox"/> 135334	Incognito 76 44-47 x 76 in. 8mm Sliding Shower Door for Alcove Installation
<input type="checkbox"/> 135236	Connect Pro 45-46 ½ x 76 in. 6mm Sliding Shower Door for Alcove Installation

MAAX

B3Round 4832 Acrylic Configurable Shower Base

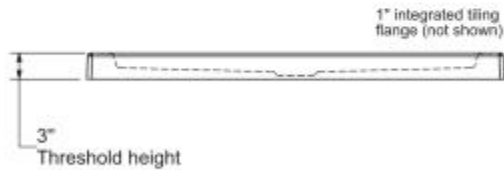
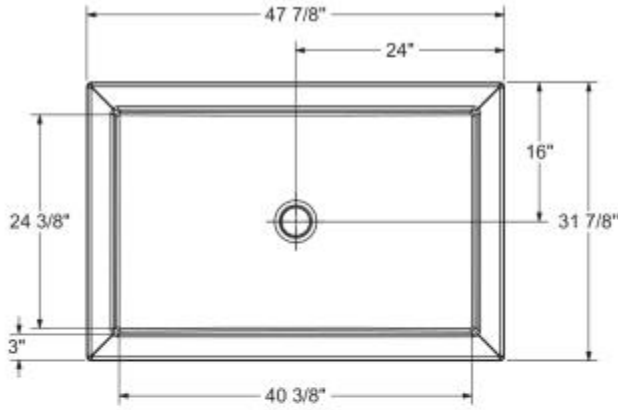
Model number:

410001-542-001-000

Dimensions: 47.875" x 31.875" x 4"

Installation:

Material: Acrylic



Dimensions

48 x 32 x 4 In.
(1216 x 810 x 102 mm)

Weight

41 lbs - 18 1/2 kg

Shape

Rectangular

Drain location:

Center

This technical drawing is universal for every 4832 configuration.

Integrated tiling flange : 1" height x 1/4" thick (not shown)
Tiling flange position is determined by chosen configuration.

All dimensions are approximate. Structure measurements must be verified against the unit to ensure proper fit.

Project:

Contractor:

Representative:

Date:

Tel:

Notes:

MAAX