

B3Round 6030 Acrylic Configurable Shower Base

Model number:

410004-505-001-002

Dimensions: 59.875" x 29.875" x 4"

Installation:

Material: Acrylic



Standard Features:

- Acrylic rectangular shower base with round drain
- Smooth floor
- Right, left or back end drain
- Certain configurations available with Stabili-T anti-slip bottom meeting ADA, ANSI or CSA standards
- Drain not included
- 3" threshold base

Product characteristics:

- Made in North America
- Low Threshold
- Bestseller

Standard Colors:



White (001)

Certifications

MAAX products adhere to one or more of the following certifications:



MAAX

B3Round 6030 Acrylic Configurable Shower Base

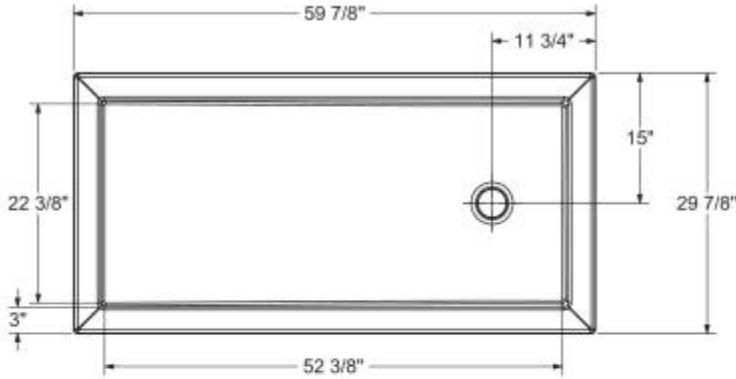
Model number:

410004-505-001-002

Dimensions: 59.875" x 29.875" x 4"

Installation:

Material: Acrylic



Dimensions

60 x 30 x 4 In.
(1521 x 759 x 102 mm)

Weight

52 lbs - 23 1/2 kg

Shape

Rectangular

Drain location:

Left

Right

This technical drawing is universal for every 6030 configuration.

Integrated tiling flange : 1" height x 1/4" thick (not shown)
Tiling flange position is determined by chosen configuration.

All dimensions are approximate. Structure measurements
must be verified against the unit to ensure proper fit.

Project:

Contractor:

Representative:

Date:

Tel:

Notes:

MAAX