

B3Round 4236 Acrylic Configurable Shower Base

Model number:

410034-541-001-000

Dimensions: 41.875" x 35.875" x 4"

Installation:

Material: Acrylic

Standard Features:

- Acrylic rectangular shower base with square drain
- 3 in. threshold and smooth floor
- Available with Stabili-T anti-slip bottom meeting ADA, ANSI or CSA requirements
- Center drain
- Drain not included

Product characteristics:

- Made in North America
- Low Threshold
- Easy Installation



Standard Colors:



White (001)

Certifications

MAAX products adhere to one or more of the following certifications:



Recommended products (Visit our website for a complete list of our recommended products)

No	Description
<input type="checkbox"/> 134562	Kameleon 40-44 x 71 in. 6 mm Sliding Shower Door for Alcove Installation
<input type="checkbox"/> 139576	Reveal Sleek 71 38-41 x 71 ½ in. 8 mm Pivot Shower Door
<input type="checkbox"/> 136679	Reveal 71 38-41 x 71 ½ in. 8mm Pivot Shower Door for Alcove Installation

MAAX

B3Round 4236 Acrylic Configurable Shower Base

Model number:

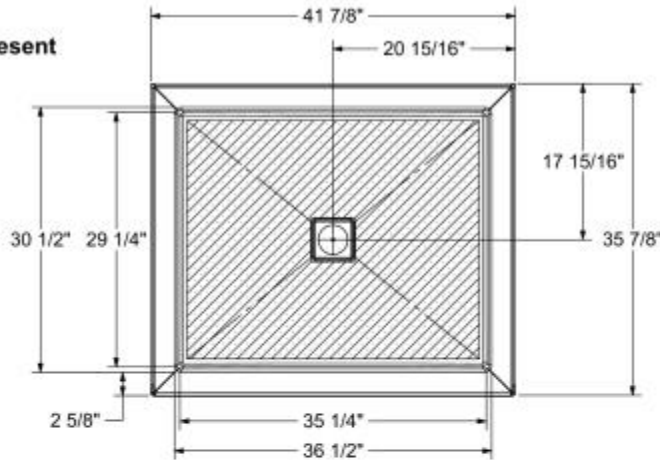
410034-541-001-000

Dimensions: 41.875" x 35.875" x 4"

Installation:

Material: Acrylic

The hatched area represent the antislip surface



Dimensions

42 x 36 x 4 In.
(1064 x 911 x 102 mm)

Weight

45 lbs - 20 1/2 kg

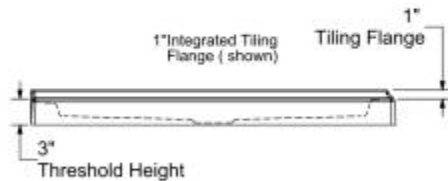
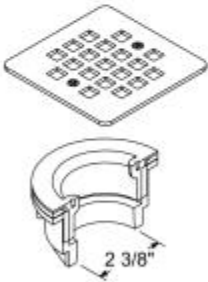
Shape

Rectangular

Drain location:

Center

DRAIN INCLUDED ON B3 SQUARE ONLY



This technical drawing is universal for every 4236 configuration.

Integrated tiling flange : 1" height x 1/4" thick
Tiling flange position is determined by chosen configuration.

All dimensions are approximate. Structure measurements must be verified against the unit to ensure proper fit.

Project:

Contractor:

Representative:

Date:

Tel:

Notes:

MAAX