

B3Round 6034 Acrylic Configurable Shower Base

Model number:

410035-542-001-000

Dimensions: 59.875" x 33.875" x 4"

Installation:

Material: Acrylic



Standard Features:

- Acrylic rectangular shower base with round drain
- 3 in. threshold with Stabili-T anti-slip bottom meeting ADA, ANSI or CSA requirements
- Right, left, back end or center drain
- Drain not included

Product characteristics:

- Made in North America
- Low Threshold
- Easy Installation

Standard Colors:



White (001)

Certifications

MAAX products adhere to one or more of the following certifications:



Recommended products (Visit our website for a complete list of our recommended products)

No	Description
<input type="checkbox"/> 136672	Reveal 71 56-59 x 71 ½ in. 8mm Pivot Shower Door for Alcove Installation
<input type="checkbox"/> 138997	Halo 56 ½-59 x 78 ¾ in. 8mm Sliding Shower Door for Alcove Installation
<input type="checkbox"/> 139580	Reveal Sleek 71 56-59 x 71 ½ in. 8 mm Pivot Shower Door

MAAX

B3Round 6034 Acrylic Configurable Shower Base

Model number:

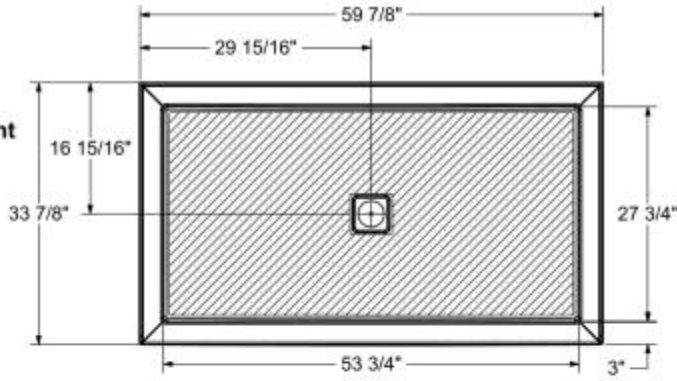
410035-542-001-000

Dimensions: 59.875" x 33.875" x 4"

Installation:

Material: Acrylic

The hatched area represent the antislip surface



Dimensions

60 x 34 x 4 In.
(1521 x 860 x 102 mm)

Weight

57 lbs - 25 3/4 kg

Shape

Rectangular

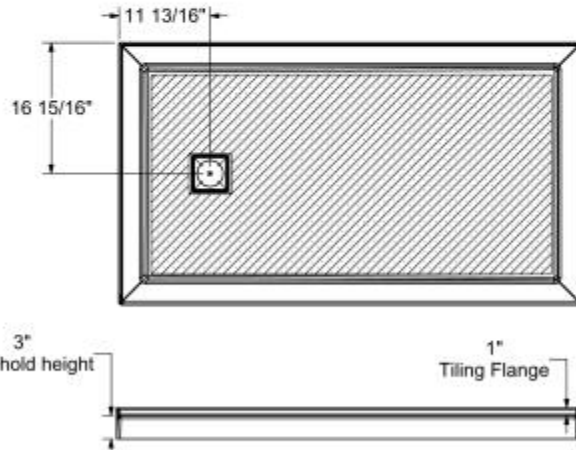
Drain location:

Center

Left

Right

DRAIN INCLUDED ON B3 SQUARE ONLY



This technical drawing is universal for every 6034 configuration.

Integrated tiling flange : 1" height x 1/4" thick
Tiling flange position is determined by chosen configuration.

All dimensions are approximate. Structure measurements must be verified against the unit to ensure proper fit.

Project:

Contractor:

Representative:

Date:

Tel:

Notes:

MAAX