

# B3Square 3636 Acrylic Configurable Shower Base

**Model number:**

420000-541-001-100

**Dimensions:** 35.875" x 35.875" x 4"

**Installation:**

**Material:** Acrylic

## Standard Features:

- Acrylic square shower base with square drain
- 3 in. threshold and smooth floor
- Certain configurations available with Stabili-T anti-slip bottom meeting ADA, ANSI or CSA standards
- Center drain
- Square chrome grid and ABS drain included (Upgrade PVC Option available)
- Multiple grid finishes available

## Product characteristics:

- Made in North America
- Low Threshold
- Bestseller



## Standard Colors:



White (001)

## Certifications

MAAX products adhere to one or more of the following certifications:



## Recommended products (Visit our website for a complete list of our recommended products)

| No                              | Description   |
|---------------------------------|---|
| <input type="checkbox"/> 138299 | Triple Plus 34-36 x 69 in. Sliding Shower Door for Alcove Installation          |
| <input type="checkbox"/> 136450 | Kleara 2-panel 33 ½-36 ½ x 69 in. 6mm Pivot Shower Door for Alcove Installation |
| <input type="checkbox"/> 136656 | Pivolok 33-34 ¾ x 64 ½ in. Pivot Shower Door for Alcove Installation            |

# MAAX

# B3Square 3636 Acrylic Configurable Shower Base

**Model number:**

420000-541-001-100

**Dimensions:** 35.875" x 35.875" x 4"

**Installation:**

**Material:** Acrylic

## Dimensions

36 x 36 x 4 In.  
(911 x 911 x 102 mm)

## Weight

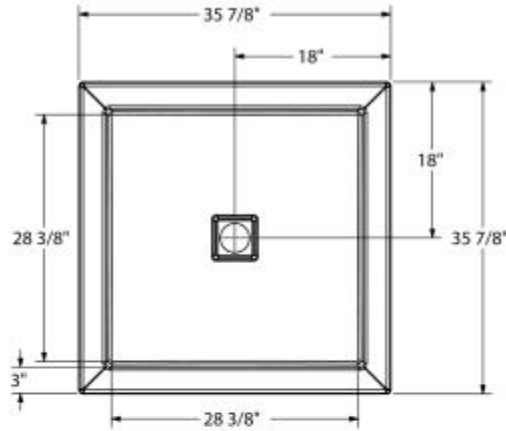
35 lbs - 15 3/4 kg

## Shape

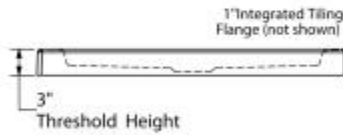
Square

## Drain location:

Center



DRAIN INCLUDED  
ON B3 SQUARE ONLY



This technical drawing is universal for every 3636 configuration.

Integrated tiling flange : 1" height x 1/4" thick (not shown)  
Tiling flange position is determined by chosen configuration.

All dimensions are approximate. Structure measurements  
must be verified against the unit to ensure proper fit.

Project: \_\_\_\_\_

Contractor: \_\_\_\_\_

Representative: \_\_\_\_\_

Date: \_\_\_\_\_

Tel: \_\_\_\_\_

Notes: \_\_\_\_\_  
\_\_\_\_\_  
\_\_\_\_\_

# MAAX