

# B3Square 4832 Acrylic Configurable Shower Base

**Model number:**

420001-541-001-102

**Dimensions:** 47.875" x 31.875" x 4"

**Installation:**

**Material:** Acrylic



## Standard Features:

- Acrylic rectangular shower base with square drain
- 3 in. threshold and smooth floor
- Certain configurations available with Stabili-T anti-slip bottom meeting ADA, ANSI or CSA standards
- Center drain
- Square chrome grid and ABS drain included (Upgrade PVC Option available)
- Multiple grid finishes available

## Product characteristics:

- Made in North America
- Utile Compatible
- Bestseller

## Standard Colors:



White (001)

## Certifications

MAAX products adhere to one or more of the following certifications:



## Recommended products (Visit our website for a complete list of our recommended products)

No	Description
<input type="checkbox"/> 138540	Halo Pro GS 44 1/2-47 X 78 3/4 in. 8mm Sliding Shower Door for Alcove Installation
<input type="checkbox"/> 137680	Outback 43 1/4 - 46 1/2 x 70 1/2 in. 8mm Sliding Shower Door for Alcove Installation
<input type="checkbox"/> 138465	Vela 44 1/2-47 x 78 3/4 in. 8mm Sliding Shower Door with Towel Bar for Alcove Installation

# MAAX

# B3Square 4832 Acrylic Configurable Shower Base

**Model number:**

420001-541-001-102

**Dimensions:** 47.875" x 31.875" x 4"

**Installation:**

**Material:** Acrylic

## Dimensions

48 x 32 x 4 In.  
(1216 x 810 x 102 mm)

## Weight

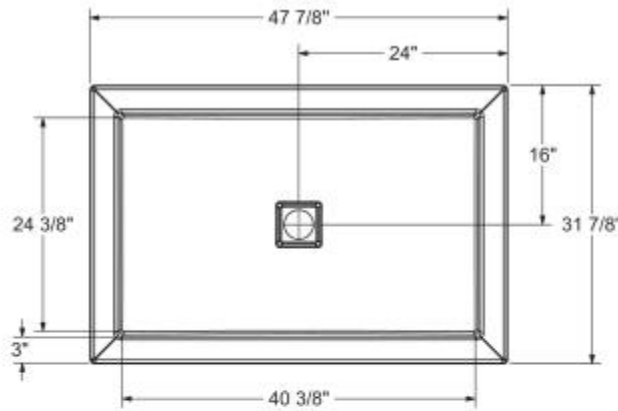
41 lbs - 18 1/2 kg

## Shape

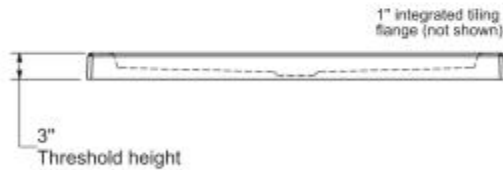
Rectangular

## Drain location:

Center



DRAIN INCLUDED  
ON B3 SQUARE ONLY



This technical drawing is universal for every 4832 configuration.

Integrated tiling flange : 1" height x 1/4" thick (not shown)  
Tiling flange position is determined by chosen configuration.

All dimensions are approximate. Structure measurements  
must be verified against the unit to ensure proper fit.

Project:

Contractor:

Representative:

Date:

Tel:

Notes:

# MAAX