

B3Square 4832 Acrylic Configurable Shower Base

Model number:

420001-542-001-100

Dimensions: 47.875" x 31.875" x 4"

Installation:

Material: Acrylic



Standard Features:

- Acrylic rectangular shower base with square drain
- 3 in. threshold and smooth floor
- Certain configurations available with Stabili-T anti-slip bottom meeting ADA, ANSI or CSA standards
- Center drain
- Square chrome grid and ABS drain included (Upgrade PVC Option available)
- Multiple grid finishes available

Product characteristics:

- Made in North America
- Utile Compatible
- Bestseller

Standard Colors:



White (001)

Certifications

MAAX products adhere to one or more of the following certifications:



Recommended products (Visit our website for a complete list of our recommended products)

No	Description
<input type="checkbox"/> 138540	Halo Pro GS 44 ½-47 X 78 ¾ in. 8mm Sliding Shower Door for Alcove Installation
<input type="checkbox"/> 135236	Connect Pro 45-46 ½ x 76 in. 6mm Sliding Shower Door for Alcove Installation
<input type="checkbox"/> 138954	Halo Pro 44 ½-47 x 78 ¾ in. 8 mm Sliding Shower Door with Towel Bar for Alcove Installation

MAAX

B3Square 4832 Acrylic Configurable Shower Base

Model number:

420001-542-001-100

Dimensions: 47.875" x 31.875" x 4"

Installation:

Material: Acrylic

Dimensions

48 x 32 x 4 In.
(1216 x 810 x 102 mm)

Weight

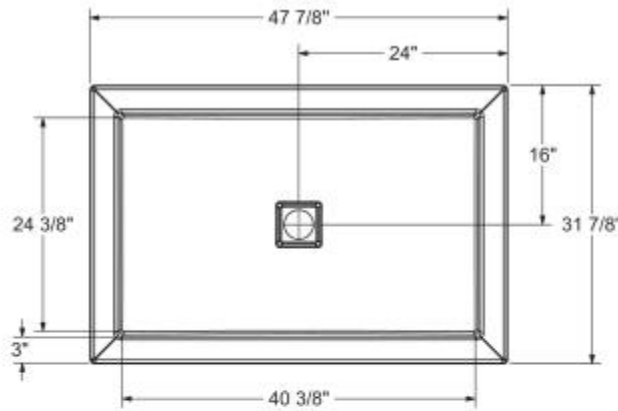
41 lbs - 18 1/2 kg

Shape

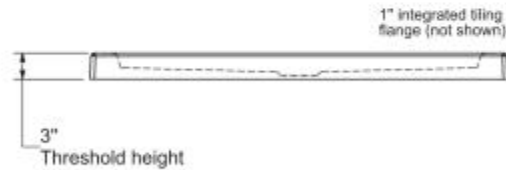
Rectangular

Drain location:

Center



DRAIN INCLUDED
ON B3 SQUARE ONLY



This technical drawing is universal for every 4832 configuration.

Integrated tiling flange : 1" height x 1/4" thick (not shown)
Tiling flange position is determined by chosen configuration.

All dimensions are approximate. Structure measurements
must be verified against the unit to ensure proper fit.

Project: _____

Contractor: _____

Representative: _____

Date: _____

Tel: _____

Notes: _____

MAAX