

B3Square 4834 Acrylic Configurable Shower Base

Model number:

420002-541-001-100

Dimensions: 47.875" x 33.875" x 4"

Installation:

Material: Acrylic



Standard Features:

- Acrylic rectangular shower base with square drain
- 3 in. threshold and smooth floor
- Certain configurations available with Stabili-T anti-slip bottom meeting ADA, ANSI or CSA standards
- Center drain
- Square chrome grid and ABS drain included (Upgrade PVC Option available)
- Multiple grid finishes available

Product characteristics:

- Made in Canada
- Low Threshold
- Bestseller

Standard Colors:



White (001)

Certifications

MAAX products adhere to one or more of the following certifications:



Recommended products (Visit our website for a complete list of our recommended products)

No	Description
<input type="checkbox"/> 136690	Revelation Round 44-47 x 70 ½-73 in. 6mm Sliding Shower Door for Alcove Installation
<input type="checkbox"/> 136271	Duel 44-47 x 70 ½-74 in. 8 mm Bypass Shower Door for Alcove Installation
<input type="checkbox"/> 135690	Revelation Square 44-47 x 70 ½-73 in. 6mm Sliding Shower Door for Alcove Installation

MAAX

B3Square 4834 Acrylic Configurable Shower Base

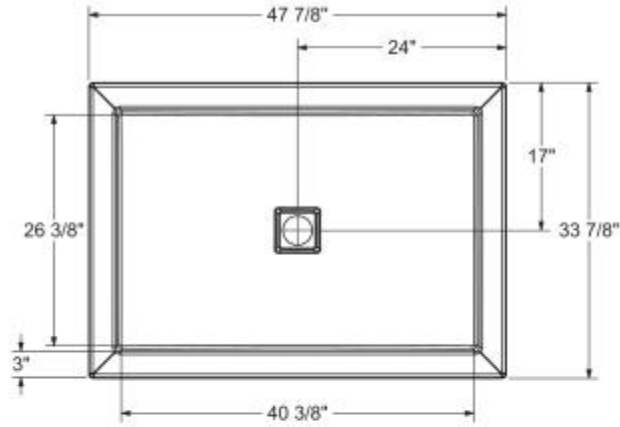
Model number:

420002-541-001-100

Dimensions: 47.875" x 33.875" x 4"

Installation:

Material: Acrylic



Dimensions

48 x 34 x 4 In.
(1216 x 860 x 102 mm)

Weight

44 lbs - 20 kg

Shape

Rectangular

Drain location:

Center

DRAIN INCLUDED
ON B3 SQUARE ONLY



1" integrated tiling
flange (not shown)



This technical drawing is universal for every 4834 configuration.

Integrated tiling flange : 1" height x 1/4" thick (not shown)
Tiling flange position is determined by chosen configuration.

All dimensions are approximate. Structure measurements
must be verified against the unit to ensure proper fit.

Project: _____

Contractor: _____

Representative: _____

Date: _____

Tel: _____

Notes: _____

MAAX