

B3Square 4834 Acrylic Configurable Shower Base

Model number:

420002-543-001-100

Dimensions: 47.875" x 33.875" x 4"

Installation:

Material: Acrylic



Standard Features:

- Acrylic rectangular shower base with square drain
- 3 in. threshold and smooth floor
- Certain configurations available with Stabili-T anti-slip bottom meeting ADA, ANSI or CSA standards
- Center drain
- Square chrome grid and ABS drain included (Upgrade PVC Option available)
- Multiple grid finishes available

Product characteristics:

- Made in Canada
- Low Threshold
- Bestseller

Standard Colors:



White (001)

Certifications

MAAX products adhere to one or more of the following certifications:



Recommended products (Visit our website for a complete list of our recommended products)

| No | Description |
|---------------------------------|--|
| <input type="checkbox"/> 139578 | Reveal Sleek 71 44-47 x 71 ½ in. 8 mm Pivot Shower Door |
| <input type="checkbox"/> 138996 | Halo 44 ½-47 x 78 ¾ in. 8mm Sliding Shower Door for Alcove Installation |
| <input type="checkbox"/> 136671 | Reveal 71 44-47 x 71 ½ in. 8mm Pivot Shower Door for Alcove Installation |

MAAX

B3Square 4834 Acrylic Configurable Shower Base

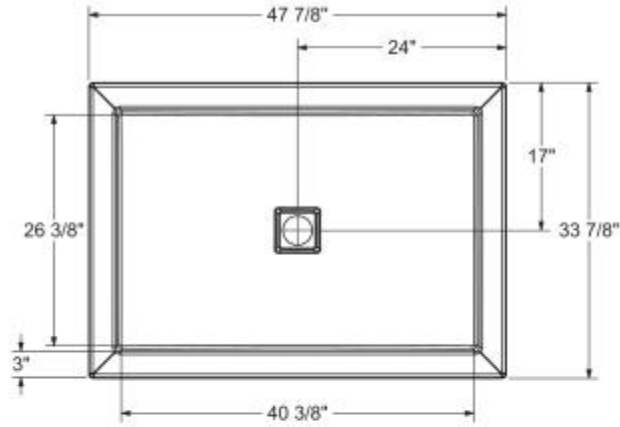
Model number:

420002-543-001-100

Dimensions: 47.875" x 33.875" x 4"

Installation:

Material: Acrylic



Dimensions

48 x 34 x 4 In.
(1216 x 860 x 102 mm)

Weight

44 lbs - 20 kg

Shape

Rectangular

Drain location:

Center

DRAIN INCLUDED
ON B3 SQUARE ONLY



1" integrated tiling
flange (not shown)



This technical drawing is universal for every 4834 configuration.

Integrated tiling flange : 1" height x 1/4" thick (not shown)
Tiling flange position is determined by chosen configuration.

All dimensions are approximate. Structure measurements
must be verified against the unit to ensure proper fit.

Project:

Contractor:

Representative:

Date:

Tel:

Notes:

MAAX