

B3Square 4836 Acrylic Configurable Shower Base

Model number:

420003-505-001-100

Dimensions: 47.875" x 35.875" x 4"

Installation:

Material: Acrylic



Standard Features:

- Acrylic rectangular shower base with square drain
- 3 in. threshold and smooth floor
- Center drain
- Certain configurations available with Stabili-T anti-slip bottom meeting ADA, ANSI or CSA standards
- Chrome grid and drain included (ABS or PVC available)
- Multiple grid finishes available

Product characteristics:

- Made in Canada
- Utile Compatible
- Bestseller

Standard Colors:



White (001)

Certifications

MAAX products adhere to one or more of the following certifications:



MAAX

B3Square 4836 Acrylic Configurable Shower Base

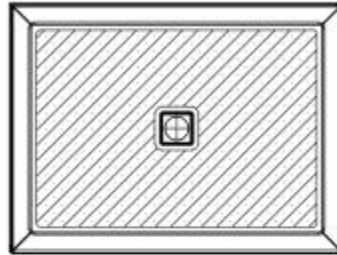
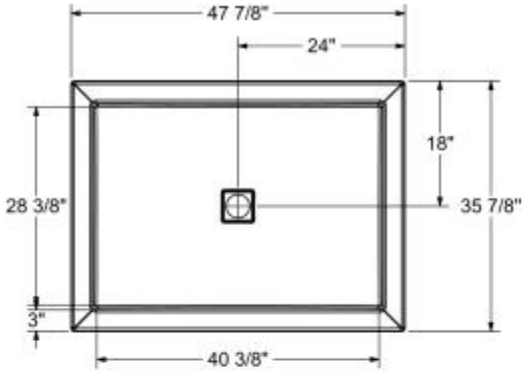
Model number:

420003-505-001-100

Dimensions: 47.875" x 35.875" x 4"

Installation:

Material: Acrylic



The hatched area represent the anti-slip surface

Dimensions

48 x 36 x 4 In.
(1216 x 911 x 102 mm)

Weight

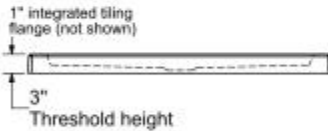
47 lbs - 21 1/4 kg

Shape

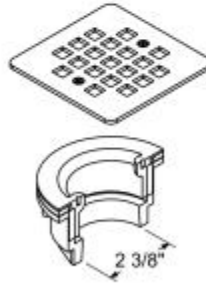
Rectangular

Drain location:

Center



DRAIN INCLUDED ON B3 SQUARE ONLY



This technical drawing is universal for every 4836 configuration.

Integrated tiling flange : 1" height x 1/4" thick (not shown)
Tiling flange position is determined by chosen configuration.

All dimensions are approximate. Structure measurements must be verified against the unit to ensure proper fit.

Project:

Contractor:

Representative:

Date:

Tel:

Notes:

MAAX