

# B3Square 4836 Acrylic Configurable Shower Base

**Model number:**

420003-506-001-100

**Dimensions:** 47.875" x 35.875" x 4"

**Installation:**

**Material:** Acrylic



## Standard Features:

- Acrylic rectangular shower base with square drain
- 3 in. threshold and smooth floor
- Center drain
- Certain configurations available with Stabili-T anti-slip bottom meeting ADA, ANSI or CSA standards
- Chrome grid and drain included (ABS or PVC available)
- Multiple grid finishes available

## Product characteristics:

- Made in Canada
- Utile Compatible
- Bestseller

## Standard Colors:



White (001)

## Certifications

MAAX products adhere to one or more of the following certifications:



# MAAX

# B3Square 4836 Acrylic Configurable Shower Base

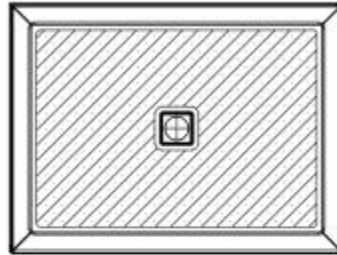
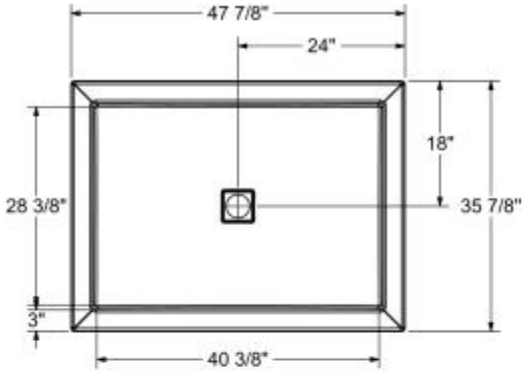
**Model number:**

420003-506-001-100

**Dimensions:** 47.875" x 35.875" x 4"

**Installation:**

**Material:** Acrylic



The hatched area represent the anti-slip surface

## Dimensions

48 x 36 x 4 In.  
(1216 x 911 x 102 mm)

## Weight

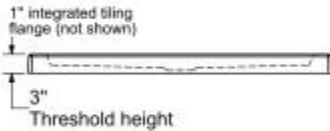
47 lbs - 21 1/4 kg

## Shape

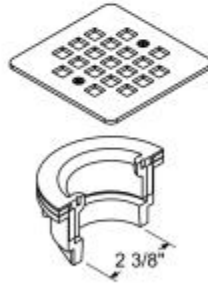
Rectangular

## Drain location:

Center



DRAIN INCLUDED ON B3 SQUARE ONLY



This technical drawing is universal for every 4836 configuration.

Integrated tiling flange : 1" height x 1/4" thick (not shown)  
Tiling flange position is determined by chosen configuration.

All dimensions are approximate. Structure measurements must be verified against the unit to ensure proper fit.

Project:

Contractor:

Representative:

Date:

Tel:

Notes:

# MAAX