



Shown with Toe-Tap Slim Line Integrated Overflow

## New Yorker 10

71.75" x 35.5" x 23.25"

**GENERAL SPECIFICATIONS:**

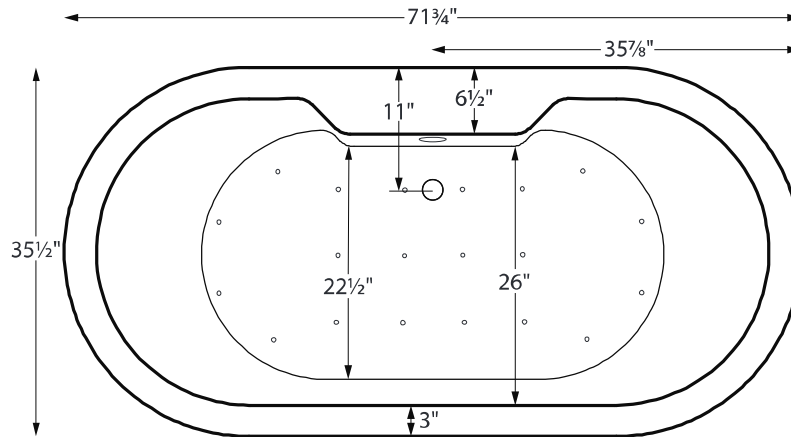
**Material** - Acrylic

**Installation** - Freestanding

**Soaker Weight** - 140 lbs / 64 kg

**Maximum Fill** - 83 gal to overflow

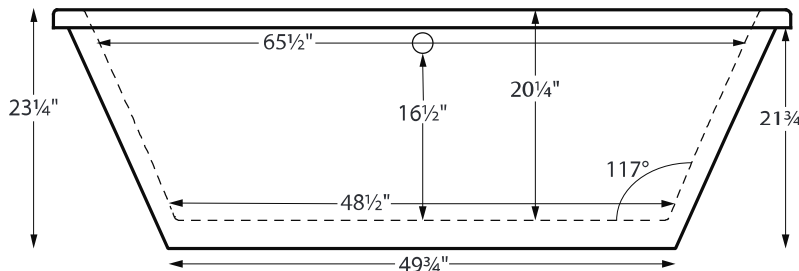
*NOTE: Filling this tub to the maximum may require an above average size or dedicated water heater.*



**The New Yorker 10 features a 6.5"-wide flat deck surface on the drain side for mounting faucetry.**

The drain and overflow assembly is concealed between the walls of the tub, eliminating the need for an exposed drain kit.

Shown with Air Massage Package.



ELECTRICAL COMPONENTS & SPECIFICATIONS		
Required Electrical Service - 110 Volt		
Hydrotherapy Package	Components Included	GFCI
Air Massage	heated blower	1-15 amp
Air Massage Elite	heated blower, chromatherapy	1-15 amp

*For electrical requirements of tub options, see page C-2.*  
CSA Certified C/US; ANSI Z124.1 for plastic tubs and ANSI 112.19.7 for whirlpool components.

**IMPORTANT ORDERING & INSTALLATION INFORMATION:**

- This freestanding tub comes equipped with an access panel on the drain side (*shown to the right*) to facilitate installation of faucet, drain, and overflow.
- Before ordering or installing, please consider future access to equipment.
- When ordering an air bath, the air blower must be remote mounted.
- Virtual Spout option can only be installed on the drain side of tub.
- Specifications and configurations are subject to change without notice.
- Measurements are  $\pm 1/2"$  and are subject to change without notice.
- Measurements herein supersede all others published prior to publication date shown below.



See the "Designer Collection Tubs Installation & Operation Manual" included with tub delivery or go to [mtibaths.com/support/installation\\_operation/manuals](http://mtibaths.com/support/installation_operation/manuals) for all the information necessary to install and operate the tub.

MTI's Customer Service Department is available Monday-Friday 8am-6pm EST at 800-783-8827 or [customerservice@mtibaths.com](mailto:customerservice@mtibaths.com) to answer any questions pertaining to ordering or installation.

