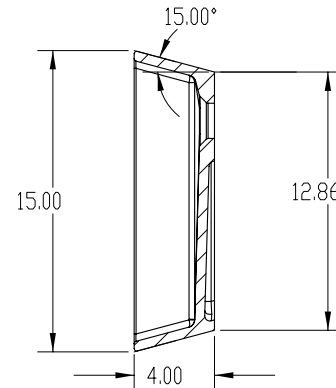
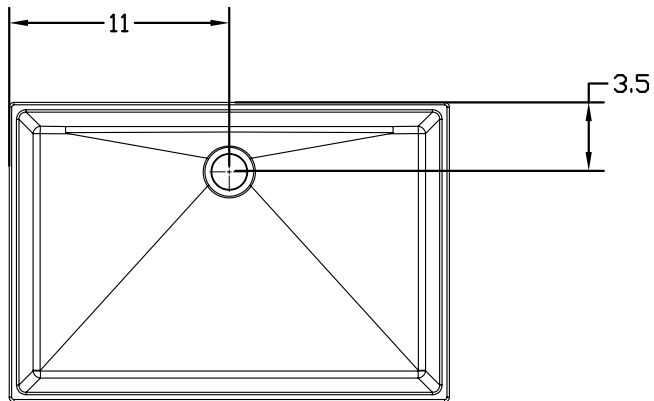
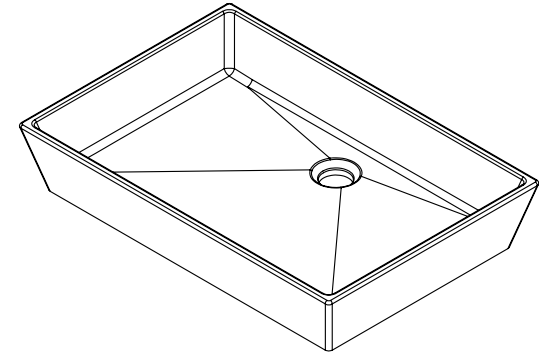
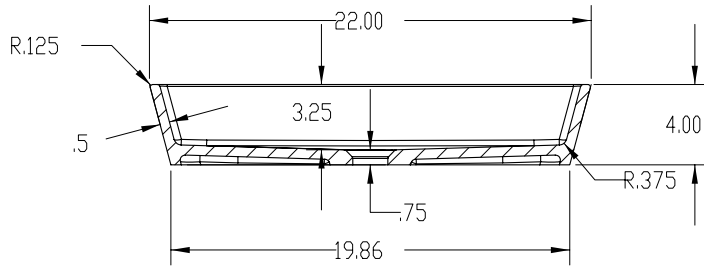


SECTION A-A
SCALE 1 : 6



SECTION B-B
SCALE 1 : 6

HYDRO SYSTEMS, INC.

29132 Avenue Paine, Valencia, CA 91355
661.775.0686, fax 661.775.0668, www.hydrosystem.com

Note: The information contained on this drawing is the sole property of Hydro Systems, Inc. Any reproduction in part or as a whole without the written permission of Hydro Systems, Inc. is prohibited.

Title: **Prism 25x18x4**

Date: April 17, 2013

Rev: \emptyset

Scale: None

Date:

Material: Solid Surface, 1/2" nominal thickness