



# PRO Series® Food Waste Disposers



## PRO Cover Control™ Plus Evolution Series®

Ideal for those seeking the extra assurance of covered operation.

### Submittal Sheet

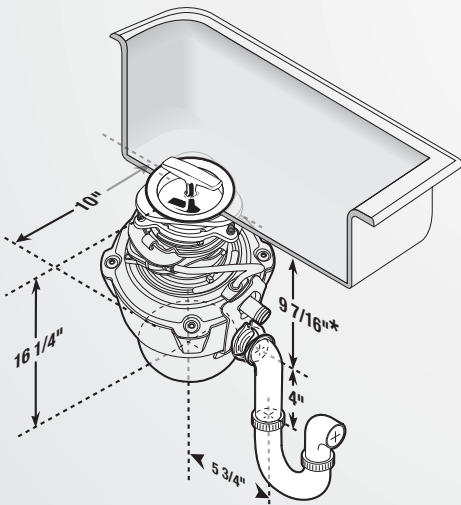
Ideal for those seeking the extra assurance of covered operation.

- **SoundSeal®** technology delivers ultra-quiet performance. Hold a conversation with normal voices in the same room.
- **MultiGrind®** technology delivers 2 stages of grind vs. 1 stage in standard disposer.
- Features exclusive **Magnetic CoverStart®** Activation. The cover goes in before the disposer goes on.

### Specifications

Type of Feed	Batch Feed
On/Off Control	Cover Control
Motor	Single Phase
HP	7/8
Reversing	Auto-Reverse Grind System® feature
Volts	120
HZ	60
RPM	1725
Amp. (Avg. Load)	7.8
Time Rating	Intermittent
Lubrication	Permanently Lubricated Upper & Lower Bearings
Shipping Weight (Approx.)	25 lbs.
Unit Finish	Black Enamel Black
Overall Height	16-1/4"
SoundSeal Plus Technology	Anti-Vibration Mount® Anti-Vibration Tailpipe Mount™ Multi-Layer SoundLimiter™ Insulation
MultiGrind Technology	GrindShear Ring®
Grind Chamber Capacity	40 oz.
Motor Protection	Manual Reset Overload
Average Water Usage	Approx. 1 Gallon Per Person Per Day
Average Electrical Usage	3-4 KWH Per Year
Drain Connection	1-1/2" Anti-Vibration (Hose Clamp)
Dishwasher Drain Connection	Yes

### Dimensions



\* Add 1/2" when stainless steel sinks are used.

### Sample Specification

Food Waste Disposer(s) shall be InSinkErator Model PRO Cover Control™ Plus with MultiGrind® and SoundSeal® technologies, 7/8 HP motor, Auto-Reverse Grind System® feature, Stainless Steel Grind Chamber and components.

**Warranty:**  
9-Year parts and in-home service.

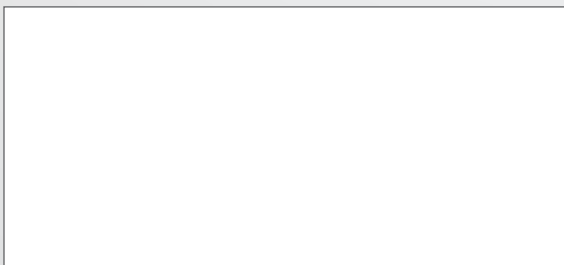
\* The complete InSinkErator warranty is included in the Care & Use Booklet packed with each unit.



Food waste disposers can provide an environmentally responsible alternative to transporting food waste to landfills. And they can help reduce greenhouse gas emissions. At capable wastewater treatment plants, food waste can be recycled to produce renewable energy. Additionally, capable wastewater treatment plants can process food waste into fertilizer. (Check the plant in your area.)

[www.insinkerator.com/green](http://www.insinkerator.com/green)

### Job Specifications



The Emerson logo is a trademark and service mark of Emerson Electric Co. The mounting collar configuration is a trademark of Emerson Electric Co.

InSinkErator may make improvements and/or changes in the specifications at any time, in its sole discretion, without notice or obligation and further reserves the right to change or discontinue models.

1-800-558-5700  
[www.insinkerator.com](http://www.insinkerator.com)