

18" VERONA ROUND COPPER PREP/ BAR SINK

Cat. No
PSCSB3026



Basin Dimensions:

Diameter: 18"

Height: 7-³/₄"

***Please do NOT cut hole without
template or actual product.**

Interior Bowl Dimensions:

Basin Interior Diameter: 15-⁷/₈"

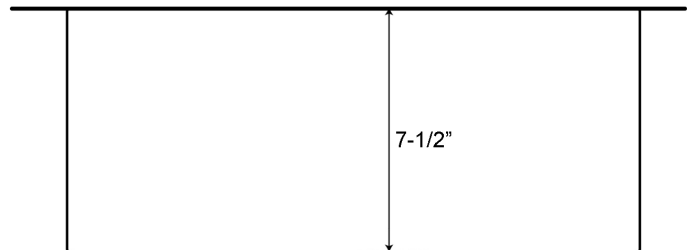
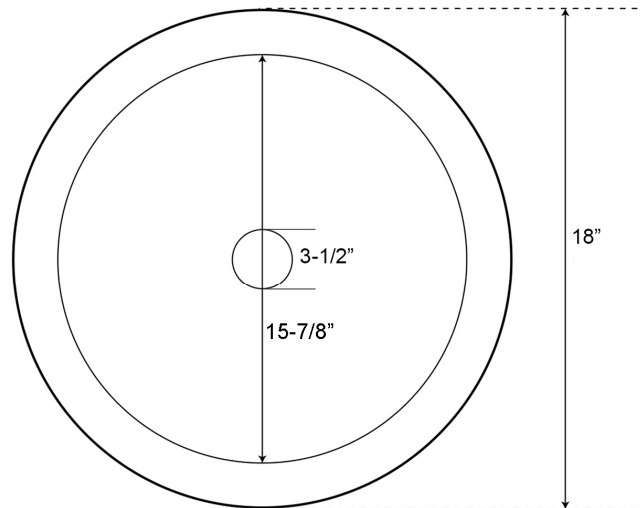
Basin Depth: 7-¹/₂"

Features:

- ▶ Constructed of solid 16 gauge copper
- ▶ Smooth interior
- ▶ Accommodates 3-¹/₂" drain
- ▶ 1" Rim
- ▶ Flange measures 4-⁵/₈" in diameter and ¹/₄" in height
- ▶ Drain sold separately
- ▶ May be used as either an undermount or a drop-in
- ▶ Patina applied to copper using french hot process
- ▶ Hand polished finish
- ▶ Copper is a living finish and will patina over time

Finish:

SAC Smooth Antique Copper



Dimensions of fixture are nominal and may vary within the range of tolerances established.