



UNIVERSAL 1/2" THERMOSTATIC ROUGH VALVE WITH INTEGRATED THREE OUTLET DEDICATED DIVERTER

ROHL Spa Shower

R1053BD

FEATURES

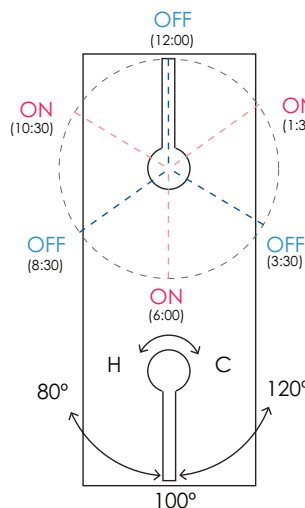
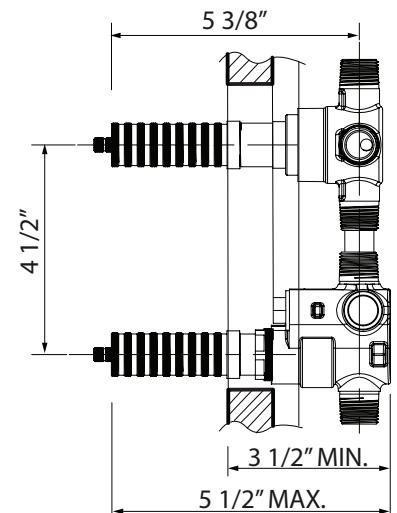
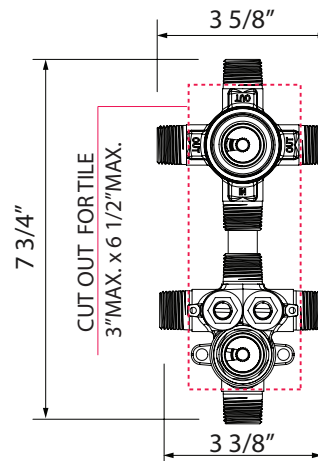
- Top handle diverts the water three ways
- CALGreen compliant.
- Service stops included
- Primary screens at the cartridge
- Temperature control with integrated three outlet diverter; factory setting at 100°F
- Cast brass construction
- Bottom outlet for tub filler only. A separate flow control valve and/or trim required for this application.
- Back of valve to finished wall 3 1/2" min., 5 1/2" max.
- Flow rate 6.7 GPM at 60 PSI
- 1/2" male inlets, 3 x 1/2" male outlets
- Complete with mud guard for installation
- If PEX is utilized, oversize the supply line to 3/4" for full flow capacity
- If only two outlets are being utilized, cap is included to close "dead" outlet
- Bottom control sets temperature
- Extension kit included, may be cut to length required
- Must order trim to complete
- Shared function cartridge available, order 11417

COLOR/FINISH

- Rough only

WARRANTY

- Limited Lifetime



The R1053BD valve is Calgreen compatible
 The operation is dedicated and only one outlet will operate at a time.
 There are 3 on positions and 3 off positions.
 It is suggested the 12 O'clock position be the off position.

Installer will need to set:

- The on positions will then be 10:30, 6:00 and 1:30
- The off positions will be 8:30, 3:30 and 12:00

- Turn counterclockwise for HOT
- Turn clockwise for COLD