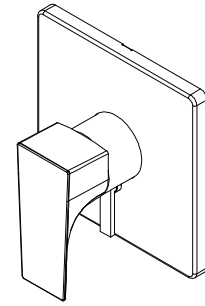




Location:



S4990TRM
Shower Valve Trim
Specification Submittal

Model Numbers

- S4990TRM**
Shower Valve Trim, Temptrol Pressure Balancing Shower Valve ordered separately

Feature Highlights

- Requires Temptrol® Pressure Balancing Shower Valve
- Components shall be metal and nonmetallic construction, plated in standard Polished Chrome finish
- Available with TA-10 flow control spindle and T-12A cap assembly for Temptrol valve bodies installed with Test Cap
- Integral volume control
- Metal lever handle

Compliance

- ASME A112.18.1/CSA B125.1
- Lever handle meets ADA requirements



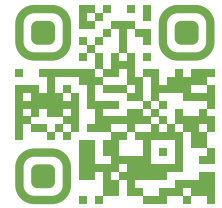
Options/Modifications

- MB** Matte Black finish
- STN** Satin Nickel finish
- L7** Less handle
- TC** With TA-10 flow control spindle + T-12A Assembly

Warranty

Limited Lifetime - to the original end purchaser in consumer/residential installations.

10 Years - for commercial/industrial installations. Refer to www.symmons.com/warranty for complete warranty information.



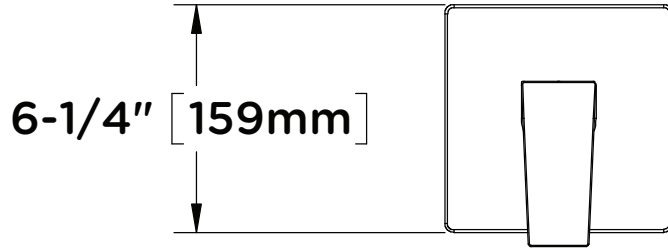
SKU Builder

Series	Finish	Modifier	Trim (required)	Test Cap	Final SKU
S4990	MB	L7	TRM	TC	S4990MBL7TRMTC

Architectural/Engineering Specification

Symmons _____ Includes Verity shower valve trim powered by the Temptrol® Pressure Balancing Showering Valve featuring metal lever handle and integral volume control. Components made from metal and nonmetallic materials plated in standard polished chrome finish. 10 Year Commercial Warranty. ASME A112.18.1/CSA B125.1 compliant and lever handle meets ADA requirements. Available options: "L7 - Less handle", "STN - Satin Nickel finish", "MB - Matte Black finish", "TC - Test Cap Trim".

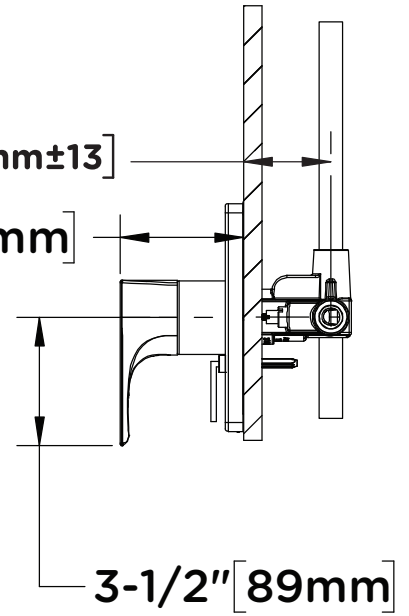
Dimensions



Rough-in:

2-3/8" ± 1/2" [60mm ± 13]

3-3/8" [85mm]



Notes:

- 1) All dimensions measured from nominal rough-in.
- 2) Dimensions are subject to change without notice.