

S5991TRM
Shower Trim
Specification Submittal

Location:

Model Numbers

- S5991TRM**
Tub/Shower Trim
- Valve Options:**
- S261 Series Temptrol® VersaFlex™ Shower Valve used with TRM modifiers
 - S161 Series Temptrol VersaFlex Shower Valve requires TC modifier

Feature Highlights

- Birch® Shower Trim.
- Requires Temptrol VersaFlex Pressure-Balancing Shower Valve.
- Integral volume control.
- Metal lever handle.
- Single-mode HydroMersion™ Showerhead.
- Standard 2.0 gpm (7.6 L/min) flow restrictor.
- Components made from metal and nonmetal materials, plated in standard Polished Chrome finish.

Compliance

- ASME A112.18.1/CSA B125.1.
- WaterSense 1.5 gpm (5.7 L/min)/2.0 gpm (7.6 L/min).
- Lever handle meets ADA requirements for operation.




Warranty

Limited Lifetime - for residential installations.
10 Years - for commercial/industrial installations.
Refer to www.symmons.com/warranty for complete warranty information.



Options/Modifications

- 15**  1.5 gpm (5.7 L/min) flow restrictor
- L1** Less showerhead
- L7** Less handle
- TC** Test Cap Trim (includes TA-10&T-12A) used with S161 series Temptrol VersaFlex Valve
- STN** Satin Nickel finish

SKU Builder

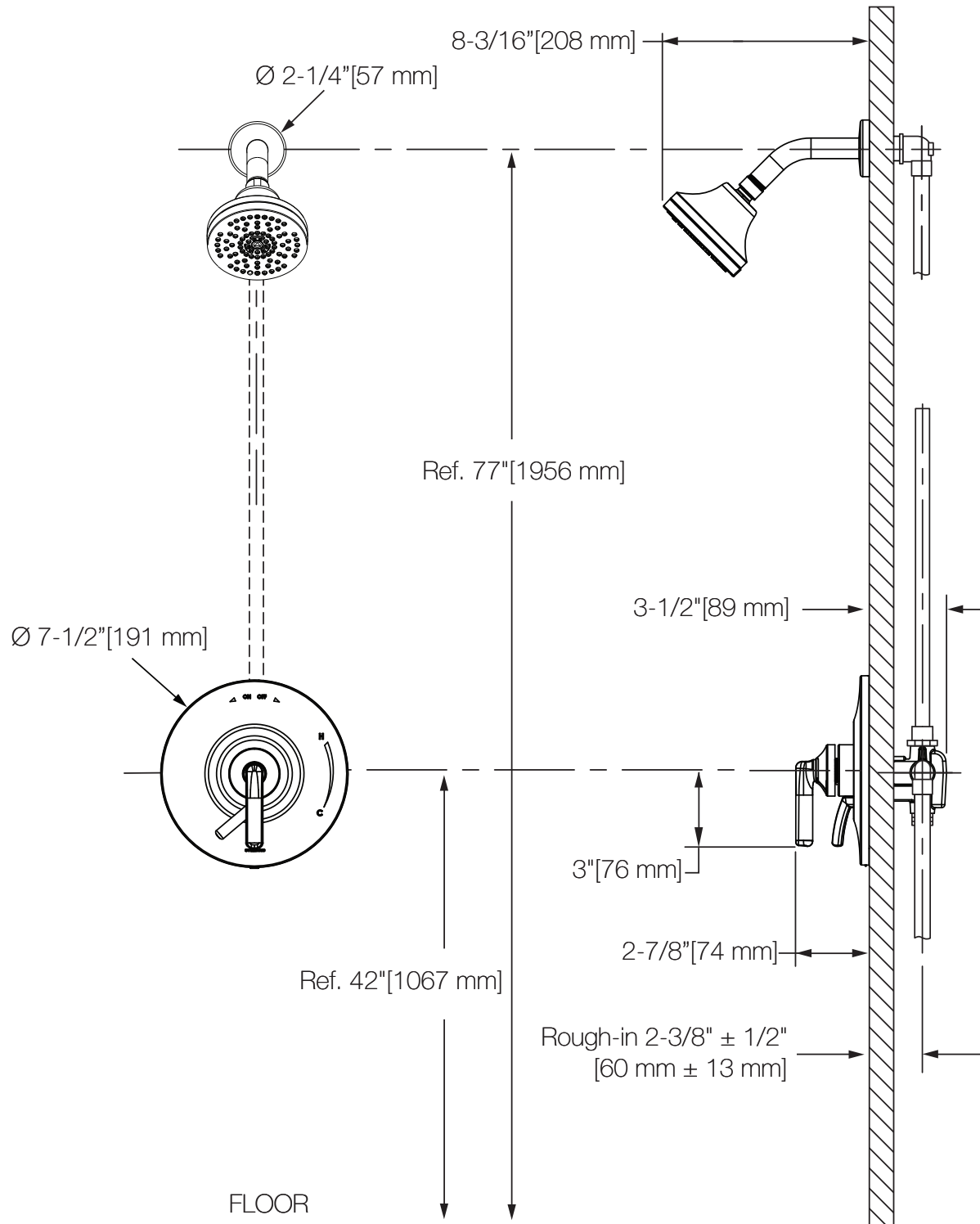
Series	Finish	Modifier	Flow Rate	TRM (required)	TC	Final SKU
S5991	STN	L1		TRM	TC	S5991STNL1TRMTC
S5991	STN			TRM		S5991STNTRM

Note: No more than two modifiers (L1-L7) permitted when ordering. Modifiers will list in numerical order.

Architectural/Engineering Specification

Symmons Birch® Shower Trim _____ Includes Birch® Shower Trim powered by Temptrol VersaFlex Pressure-Balancing Shower Valve, integral diverter control. Features include metal lever handle, single-mode HydroMersion showerhead, standard 2.0 gpm (7.6 L/min) flow restrictor. Components made from metal and nonmetal materials, plated in standard Polished Chrome finish. 10 Year Commercial Warranty. ASME A112.18.1/CSA B125.1, WaterSense 1.5 gpm (5.7 L/min), 2.0 gpm (7.6 L/min) compliant. Lever handle meets ADA requirements for operation. Available options: 15 = 1.5 gpm (5.7 L/min) flow restrictor, L1 = Less showerhead, L7 = Less handle, TC = Test Cap Trim, and STN = Satin Nickel finish.

Dimensions



Notes:

- 1) Valve body and piping not included and shown as reference only.
- 2) Plaster shield (p/n T-176) for dry wall, plaster or other type walls 1/2" or greater.
- 3) All dimensions measured from nominal rough-in (see 2-3/8" \pm 1/2" [60 mm \pm 13 mm] as reference).
- 4) Dimensions subject to change without notice.