

S5994TRM  
Tub/Hand Shower Trim  
**Specification Submittal**

Location:

### Model Numbers

- S5994TRM**  
Tub/Hand Shower Trim

**Valve Options:**

- S262 Series Temptrol® VersaFlex™ Shower Valve with TRM modifier
- S162 Series Temptrol VersaFlex Shower Valve requires TC modifier

### Feature Highlights

- Birch® Tub/Hand Shower Trim.
- Requires Temptrol® VersaFlex™ Pressure-Balancing Shower Valve.
- Integral diverter control.
- Metal lever handle.
- 7" non-diverter tub spout.
- 30" slide bar for hand shower.
- 60" flexible metal hose.
- Single-mode HydroMersion™ hand shower with Non-Positive Shutoff (NPSO).
- Dual checks for backflow protection.
- Standard 2.0 gpm (7.6 L/min) flow restrictor.
- Components made from metal and nonmetal materials, plated in standard Polished Chrome finish.

### Compliance

- ASME A112.18.1 / CSA B125.1.
- WaterSense 1.5 gpm (5.7 L/min) / 2.0 gpm (7.6 L/min).
- Lever handle and hand shower meet ADA requirements for operation.



### Warranty

**Limited Lifetime** - for residential installations.  
**10 Years** - for commercial/industrial installations.  
Refer to [www.symmons.com/warranty](http://www.symmons.com/warranty) for complete warranty information.



### Modifications

- 15**  **CG** 1.5 gpm (5.7 L/min) flow restrictor
- L2** Less handshower
- L5** Less hand shower system
- L6** Less tub spout
- L7** Less handle
- STN** Satin Nickel finish
- TC** Test Cap Trim (includes TA-10&T-12A) used with S162 series Temptrol® VersaFlex™ Valve

### SKU Builder

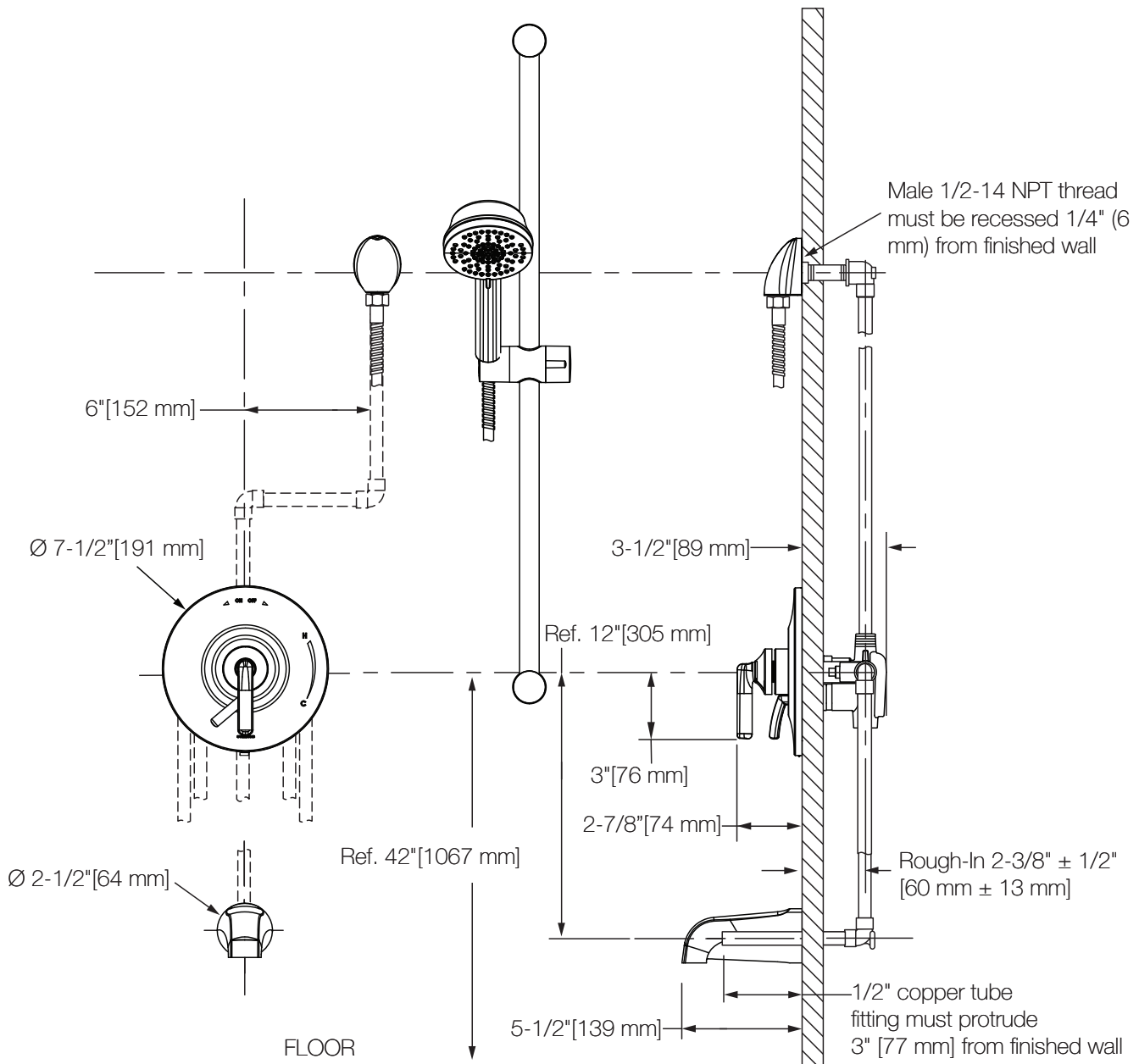
Series	Finish	Modifier	Flow Rate	Trim (required)	Test Cap	Final SKU
S5994	STN	L1		TRM	TC	S5994STNL1TRMTC
S5994	STN			TRM		S5994STNTRM

**Note:** No more than two modifiers (L1-L7) permitted when ordering. Modifiers will list in numerical order.

### Architectural/Engineering Specification

Symmons Birch® Tub and Hand Shower Trim \_\_\_\_\_ Includes Birch® Tub and Hand Shower Trim powered by Temptrol® VersaFlex™ Pressure-Balancing Shower Valve, integral diverter control. Features include metal lever handle, 7" non-diverter tub spout, 30" slide bar for hand shower, 60" flexible metal hose, Single-mode HydroMersion™ hand shower with Non-Positive Shutoff (NPSO), dual checks for backflow protection, standard 2.0 gpm (7.6 L/min) flow restrictor. Components made from metal and nonmetal materials, plated in standard Polished Chrome finish. 10 Year Commercial Warranty. ASME A112.18.1/CSA B125.1 and WaterSense 1.5/2.0 complaint, lever handle meets and hand shower meet ADA requirements for operation. Available options: 15 = 1.5 gpm (5.7 L/min) flow restrictor, L2 = Less handshower, L5 = Less hand shower system, L6 = Less tub spout, L7 = Less handle, STN = Satin Nickel finish, and TC = Test Cap Trim.

## Dimensions



### Notes:

- 1) Valve body and piping not included and shown as reference only.
- 2) Plaster shield (p/n T-176) for dry wall, plaster or other type walls 1/2" or greater.
- 3) All dimensions measured from nominal rough-in (see 2-3/8" ± 1/2" [60 mm ± 13 mm] as reference).
- 4) Dimensions subject to change without notice.