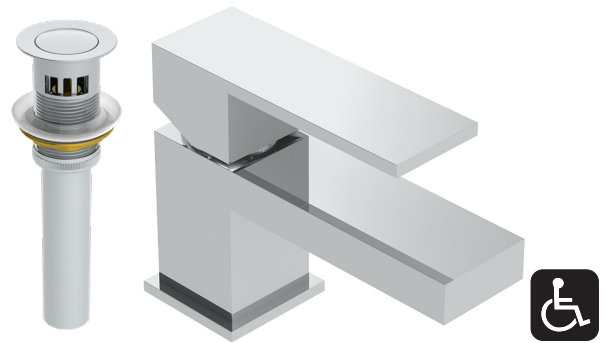




SLS3622PP
Single Handle Lavatory Faucet
Operation & Maintenance Manual



Model Numbers

- SLS3622PP** Single Handle Lavatory Faucet with Push Pop Drain Assembly

Feature Highlights

- Single hole mount configuration
- Single lever cartridge with ceramic control components
- 25 inch braided hose water supply connections
- 4-1/2" height
- Standard 1.0 gpm (3.8 L/min) flow rate
- Faucet shall be metal construction, plated in standard polished chrome finish

Compliance

- ASME A112.18.1/CSA B125.1
- NSF/ANSI/CAN 61: Q<1, NSF/ANSI 372
- WaterSense 1.0 gpm (3.8 L/min) only

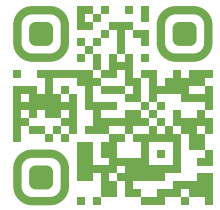


⚠ WARNING: This product can expose you to chemicals including lead, which is known to the state of California to cause cancer, birth defects, or other reproductive harm. For more information, go to www.P65Warnings.ca.gov.

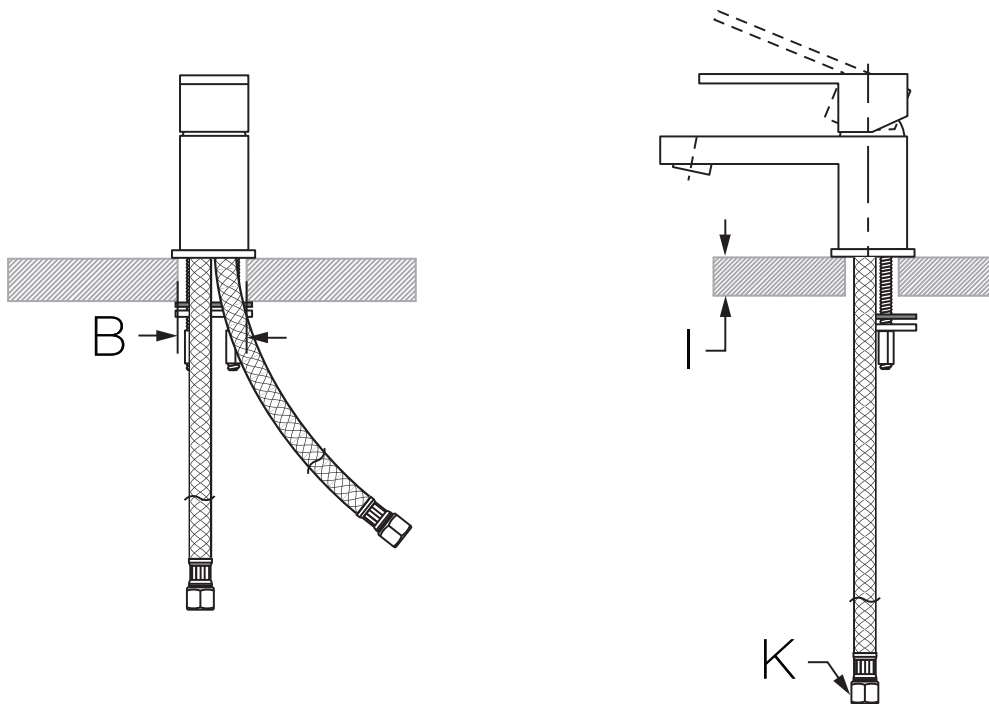
Warranty

Limited Lifetime - to the original end purchaser in consumer/residential installations.

10 Years - for commercial/industrial installations. Refer to www.symmons.com/warranty for complete warranty information.



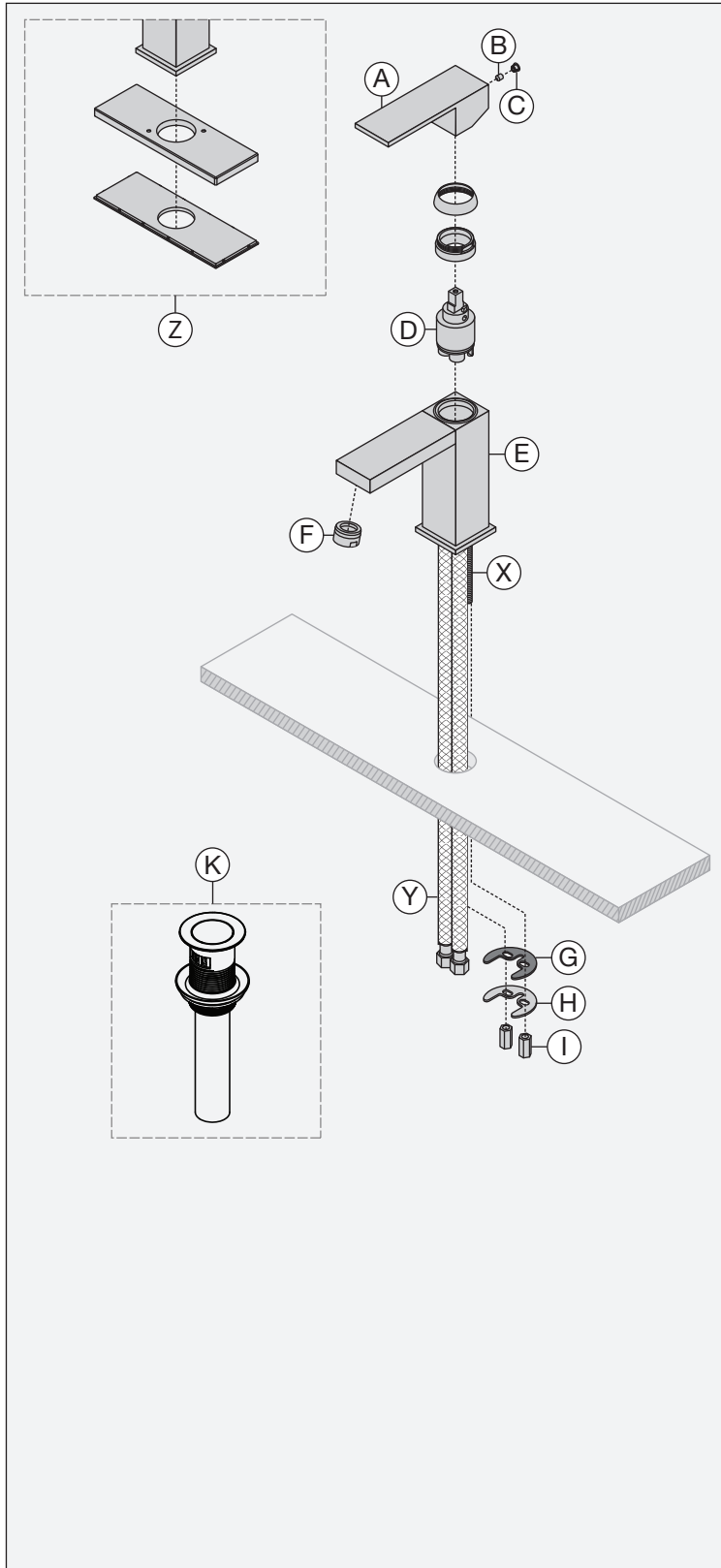
Dimensions







Measurements	
B	Hole Size: Min. Ø 1-1/4", 32 mm Max. Ø 1-1/2", 38 mm
I	Deck Thickness Ref. Min. 7/8", 22 mm Max. 2-1/2", 64 mm
K	3/8" compression fitting

Note: Dimensions subject to change without notice.

Parts Breakdown



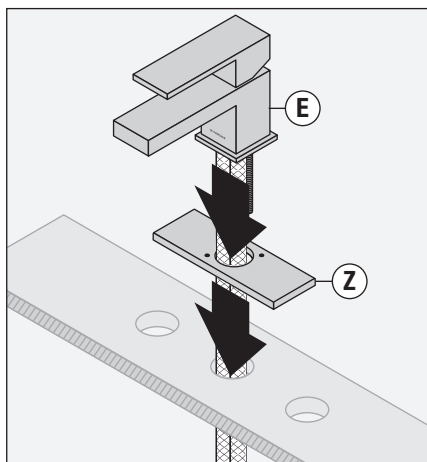
Replacement Parts		
Item	Description	Part Number
A	Handle	
B	Set Screw	LN-01416*
C	Plug Button	
D	Cartridge with Limit Stop	RL-070
F	Aerator 1.5 Aerator 1.0 Aerator 0.5	RL-059-1.5 RL-059-1.0 RL-059-0.5
K	Push Pop Drain Assembly	RL324*
G, H I Y	Mounting Gaskets (2x) Fasteners Supply Hose	RL-011
Z	Deck Plate	RL-082*

Required for Installation	
Adjustable wrench	
Allen wrench: 2.5mm	
Plumber tape	
Plumber putty	

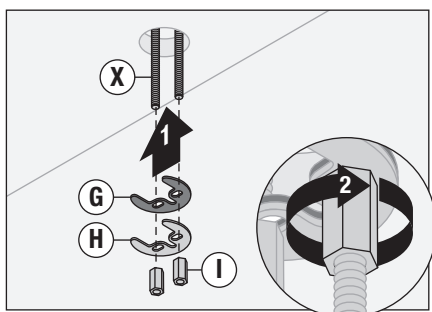
*** Note:** When ordering replacement parts for faucets with an optional decorative finish, append appropriate three letter finish suffix code to part numbers marked with an asterisk (*).

Installation

- 1) Insert faucet body (E) through deck plate (Z) and deck surface.

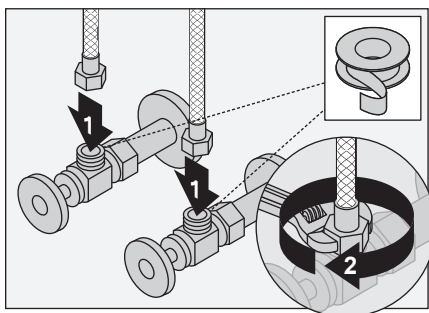


- 2) Slide mounting gasket (G) and metal washer (H) on to fasteners (X). Secure with mounting nuts (I).

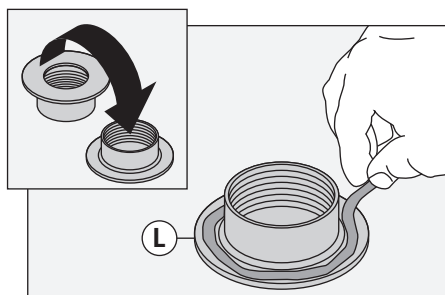


Note: Hoses removed for clarity.

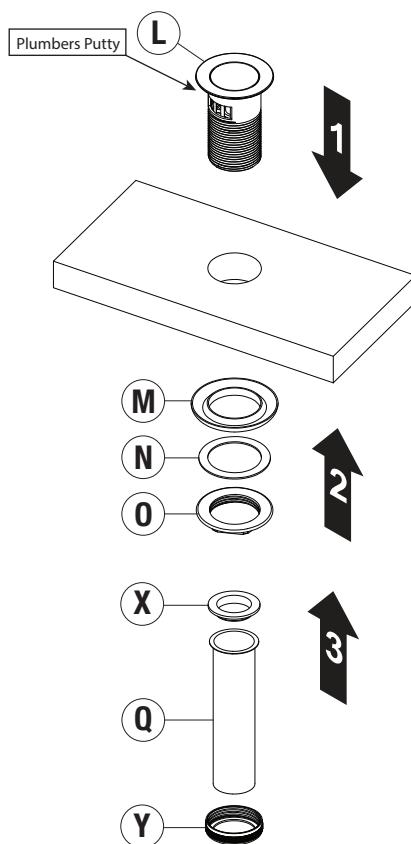
- 3) Install teflon tape to inlets of shut-off valves. Attach supply lines to shut-off valves and hand tighten. Using a wrench, finish with one-half turn. **DO NOT** overtighten.



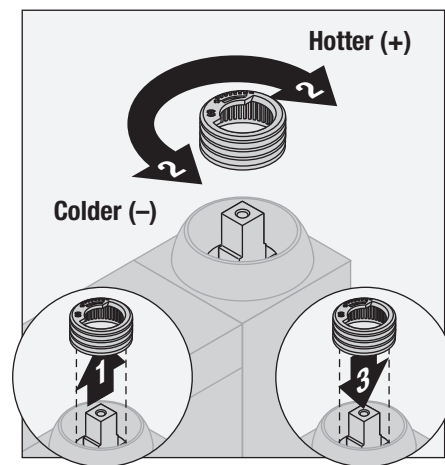
- 4) Apply plumber putty to underside of flange (L).



- 5) **Push Pop Install:** Insert drain body (L) into drain opening. From below, Tighten locking nut (O) with gasket (M) and washer (N) to flange. Tighten tail nut (Y) with washer (X) to secure tail pipe (Q). **DO NOT** overtighten.



- 6) The handle limit stop can be set to limit handle turn to the hot position. To measure temperature, turn handle to full hot position and lift handle half way open. If water is too hot or cold, loosen set screw and remove handle. Remove limit stop ring and rotate counter clockwise to lower temperature or clockwise to raise temperature.



Care and Cleaning

1) Clean finished trim area with a soft cloth using mild soap and water or a non-abrasive cleaner and then quickly rinse with water.

Troubleshooting Chart

Problem	Cause	Solution
Finish is spotting.	Elements in water supply may cause water staining on finish.	Clean finished trim area with a soft cloth using mild soap and water or a non-abrasive cleaner and then quickly rinse with water.
Faucet is leaking from handle or faucet body.	Cartridge o-rings are worn or foreign matter (dirt, chips) is lodged between cartridge and o-rings.	Remove cartridge and inspect for foreign matter. Replace cartridge if necessary.
Faucet no longer maintains desired temperature.	Hard water deposits inside of cartridge is preventing accurate mix of hot and cold water.	Soak cartridge in white vinegar for 1 hour to breakdown hard water deposits, then rinse with water. Replace cartridge if necessary.