

Panaro 7242 Acrylic Drop-in Bathtub

Model number:

106458-000-001

Dimensions: 72" x 42" x 23.875"

Installation: Drop-in

Material: Acrylic



Standard Features:

- Rectangular shape bathtub with integrated armrests
- Drop-in, alcove or undermount installation
- Textured floor
- Right, left or end drain

Product characteristics:

- Made in North America
- Integrated Armrest
- Comfortable Backrest

Standard Colors:



White (001)



Biscuit (007)

Certifications

MAAX products adhere to one or more of the following certifications:



MAAX

Panaro 7242 Acrylic Drop-in Bathtub

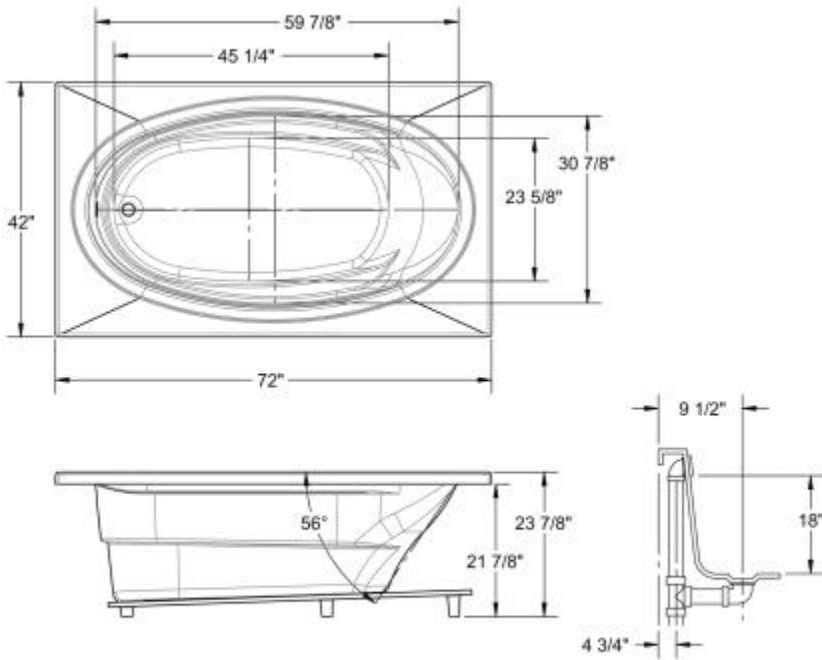
Model number:

106458-000-001

Dimensions: 72" x 42" x 23.875"

Installation: Drop-in

Material: Acrylic



All dimensions are approximate. Structure measurements must be verified against the unit to ensure proper fit.

Dimensions

72 x 42 x 24 In.
(1829 x 1067 x 606 mm)

Water Capacity

67 gallons - 255 liters

Weight

121 lbs - 55 kg

Bathing Well

49 In. x 26 In.

Deep Sump Height

21.875 In. - 556 mm

Deck Width

5 In. - 127 mm

Drain location:

End

Left

Project:

Contractor:

Representative:

Date:

Tel:

Notes:

MAAX