

CRYSTORAMA

1958

95 Cantiague Rock Road, Westbury, NY 11590 • toll free: 1.800.888.4470 fax: 516.931.1254 • info@crystorama.com • www.crystorama.com

MODEL#: SYL-2211-BF ASSEMBLY AND DRESSING INSTRUCTIONS

WARNING:

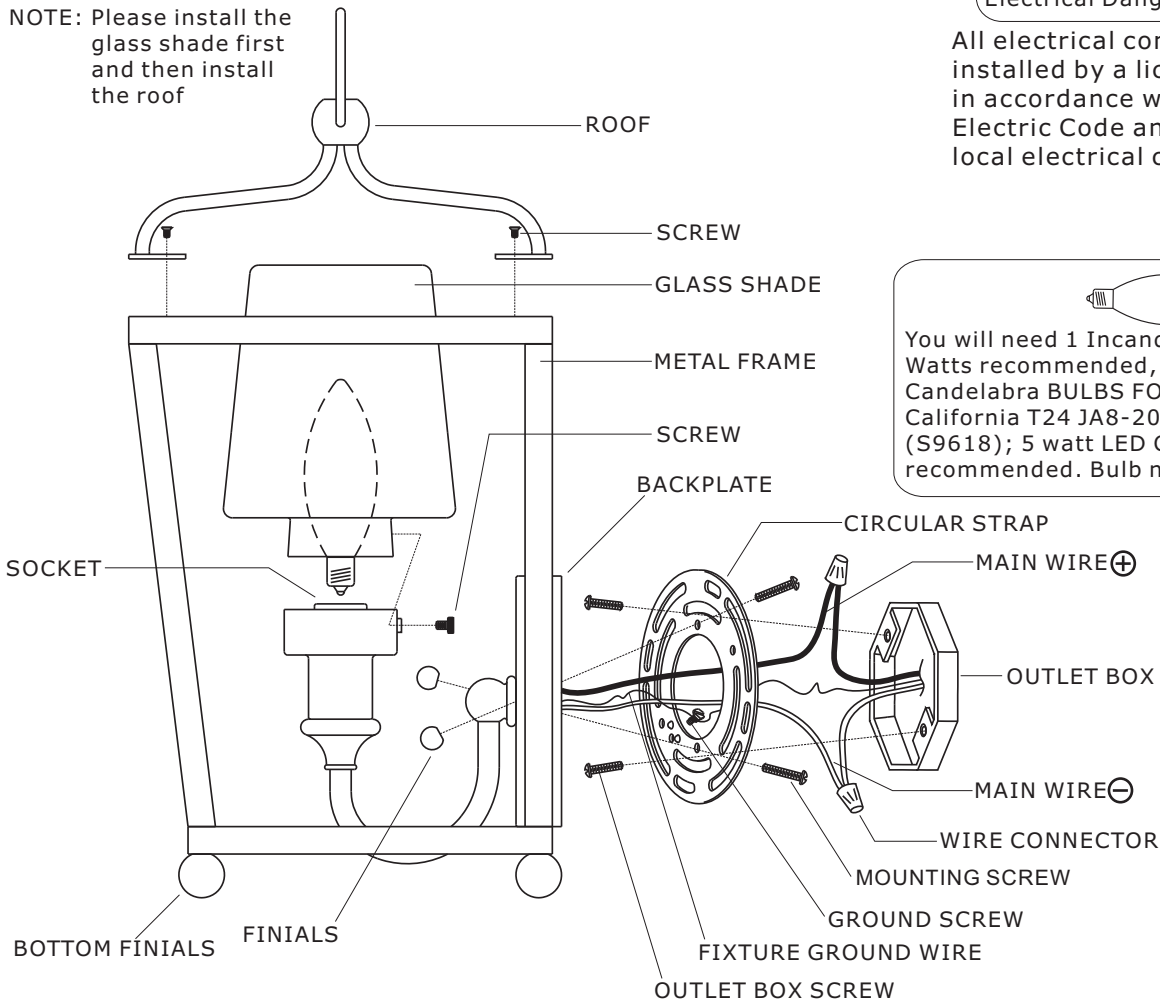


Electrical Danger Turn Power off

All electrical components must be installed by a licensed electrician in accordance with the National Electric Code and the appropriate local electrical codes.

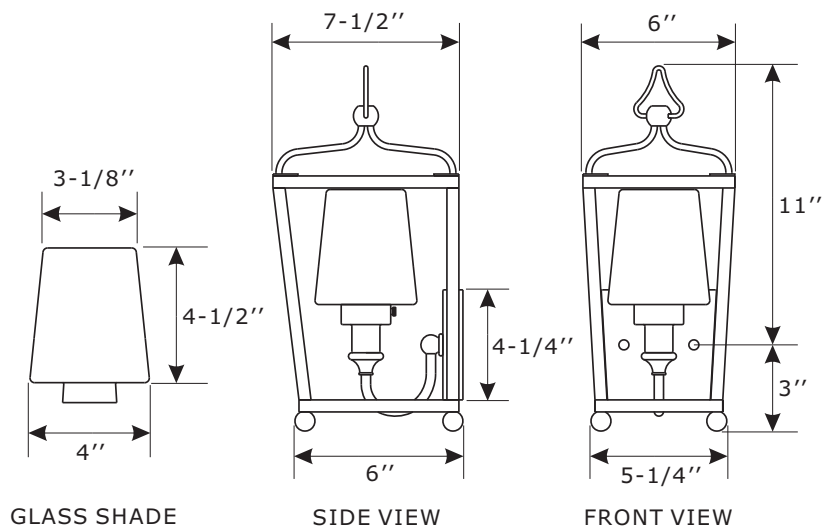
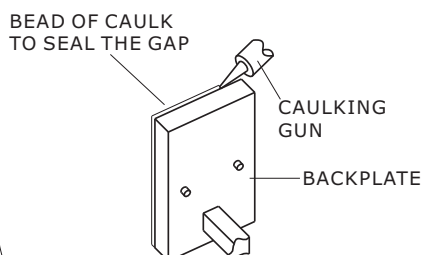


NOTE: Please install the glass shade first and then install the roof



You will need 1 Incandescent bulb 60 Watts recommended, USE 10.5 W LED Candelabra BULBS FOR EXTENDED USE, California T24 JA8-2016 Qualified: Satco (S9618); 5 watt LED Candelabra Base recommended. Bulb not included

After securing fixture to the wall it is recommended that the gap between the wall and fixture backplate be sealed on the top and both sides, with a good quality waterproof caulk or silicone sealant (NOT INCLUDED)



2017-09