

Exhibit 6636 IFS Acrylic Alcove Bathtub

Model number:

106179-L-097-001

Dimensions: 65.875" x 36" x 18"

Installation: Alcove

Material: Acrylic



Standard Features:

- Rectangular shape bathtub in alcove installation
- Available in Above-the-Floor Rough (AFR) or not
- Minimalist look with discreet armrests and textured floor
- Integrated tiling flange
- When equipped with a system, the unit comes with an access panel

Product characteristics:

- Made in North America
- Integrated Armrest
- Integrated Tiling Flange and Skirt

Systems:

Whirlpool
Combined Whirlpool/Aeroeffect
Aeroeffect

Standard Colors:



White (001)



Bone (004)



Biscuit (007)

Certifications

MAAX products adhere to one or more of the following certifications:



MAAX

Exhibit 6636 IFS Acrylic Alcove Bathtub

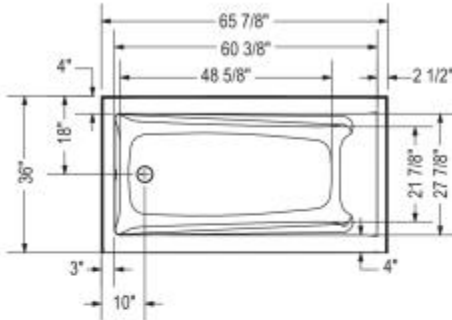
Model number:

106179-L-097-001

Dimensions: 65.875" x 36" x 18"

Installation: Alcove

Material: Acrylic



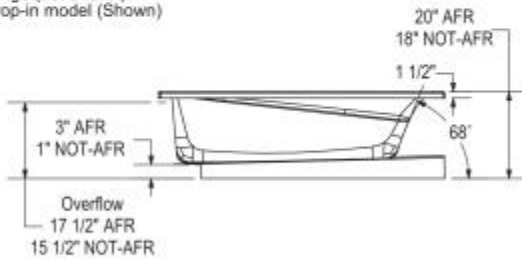
IFS Without System
Single tiling flange



IFS With System
(access panel)
Single tiling flange



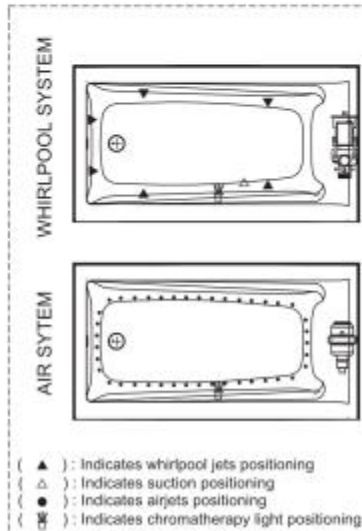
1" Single integrated tiling flange (not shown)
Drop-in model (Shown)



Technical drawing is universal for all Exhibit 6636 configurations.

Wood support design may vary.
Single Integrated tiling flange: 1" height x 1/4" thickness (not shown)

All dimensions are approximate.
Structure measurement must be verified against the unit to ensure proper fit.



- (▲) : Indicates whirlpool jets positioning
- (△) : Indicates suction positioning
- (●) : Indicates airjets positioning
- (☉) : Indicates chromotherapy light positioning

Dimensions

66 x 36 x 18 In.
(1673 x 914 x 457 mm)

Water Capacity

60 gallons - 227 liters

Weight

88 lbs - 40 kg

Bathing Well

60 1/2 In. x 28 In.

Deep Sump Height

16.5 In. - 419 mm

Deck Width

4 In. - 102 mm

Drain location:

Left

Right

Project:

Contractor:

Representative:

Date:

Tel:

Notes:

MAAX