

# Exhibit 7242 IFS 72 x 42 Acrylic Alcove Bathtub

**Model number:**

106187-R-103-001

**Dimensions:** 71.875" x 42" x 18"

**Installation:** Alcove

**Material:** Acrylic

## Standard Features:

- Rectangular shape bathtub in alcove installation
- Available in Above-the-Floor Rough (AFR) or not
- Minimalist look with discreet armrests and textured floor
- Integrated tiling flange
- When equipped with a system, the unit comes with an access panel

## Product characteristics:

- Made in North America
- Integrated Armrest
- Integrated Tiling Flange and Skirt

## Systems:

Whirlpool  
Combined Whirlpool/Aeroeffect  
Aeroeffect



## Standard Colors:



White (001)



Bone (004)



Biscuit (007)

## Certifications

MAAX products adhere to one or more of the following certifications:



# MAAX

# Exhibit 7242 IFS 72 x 42 Acrylic Alcove Bathtub

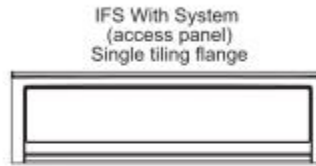
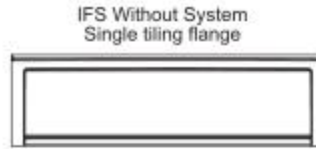
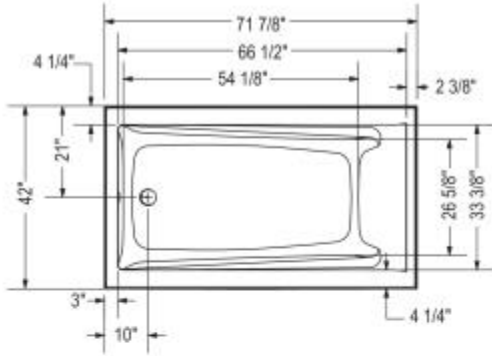
**Model number:**

106187-R-103-001

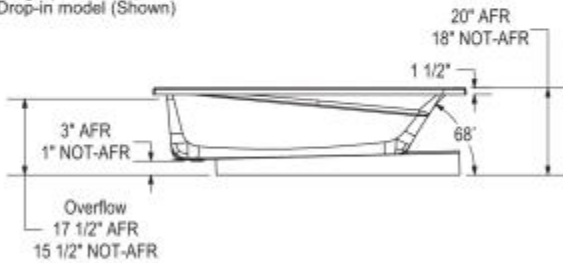
**Dimensions:** 71.875" x 42" x 18"

**Installation:** Alcove

**Material:** Acrylic



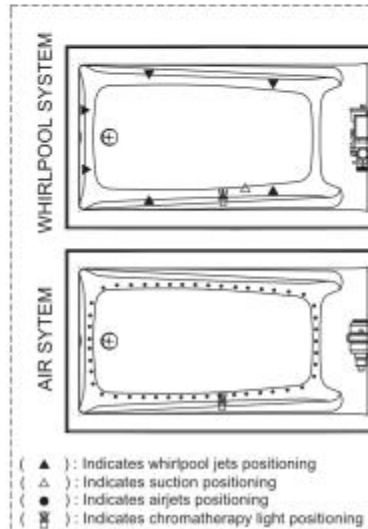
1" Single integrated tiling flange (not shown)  
Drop-in model (Shown)



Technical drawing is universal for all Exhibit 7242 configurations.

Wood support design may vary.  
Single Integrated tiling flange: 1" height x 1/4" thickness (not shown)

All dimensions are approximate.  
Structure measurement must be verified against the unit to ensure proper fit.



## Dimensions

72 x 42 x 18 In.  
(1826 x 1067 x 457 mm)

## Water Capacity

78 gallons - 295 liters

## Weight

98 lbs - 44 1/2 kg

## Bathing Well

66 1/4 In. x 33 1/2 In.

## Deep Sump Height

16.5 In. - 419 mm

## Deck Width

4.25 In. - 108 mm

## Drain location:

Left

Right

Project:

Contractor:

Representative:

Date:

Tel:

Notes:

# MAAX